

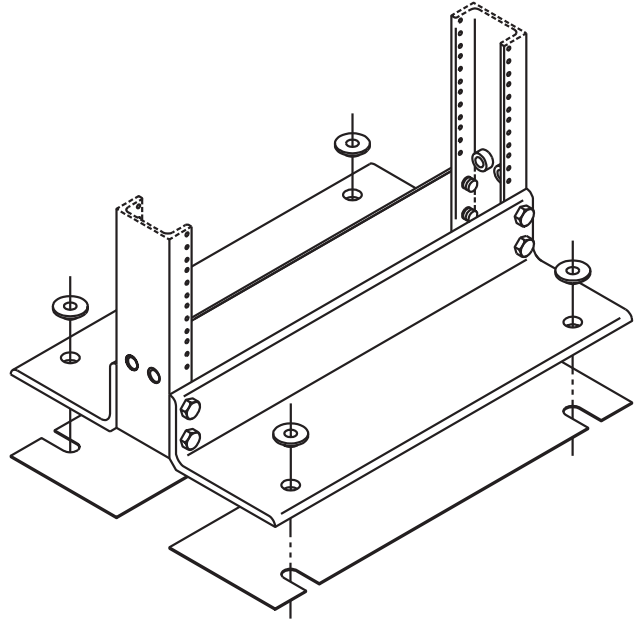
# Product Information Sheet

## RACK BASE INSULATOR KIT

Rack Base Insulator Kits electrically isolate the racks from the floor for an effective grounding and bonding system. Made of .060" (1.52 mm) thick phenolic insulating material and accepts up to 1/2" diameter screws. Used on concrete floors, not needed for access floor applications.

**Kit consists of:**

- (2) isolation plates
- (4) isolation grommets



Part Number	Description	Shipping Weight
10605-019	Insulator Kit, 19" Rack	3 lb (1.4 kg)
10605-023	Insulator Kit, 23" Rack	3 lb (1.4 kg)
10605-025	Insulator Kit, 25" Rack	3 lb (1.4 kg)

800-834-4969 in U.S. & Canada • [www.chatsworth.com](http://www.chatsworth.com)



**CHATSWORTH PRODUCTS, INC.**

©2009 Chatsworth Products, Inc. All rights reserved. CPI, CPI Passive Cooling, Saf-T-Grip, Seismic Frame, SlimFrame and MegaFrame are federally registered trademarks of Chatsworth Products, Inc. Cube-iT Plus, Evolution, OnTrac, QuadraRack, Simply Efficient and TeraFrame are trademarks of Chatsworth Products, Inc. All other trademarks belong to their respective companies. 02/09