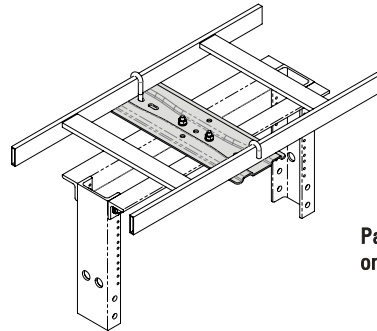


# Product Cut Sheet

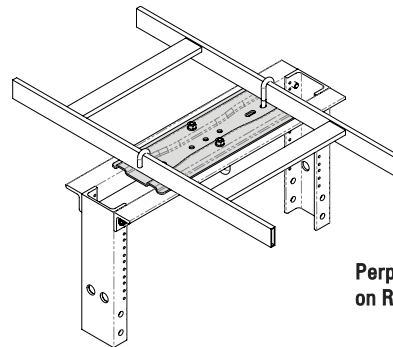
## 3" (80 MM) CHANNEL RACK-TO-RUNWAY MOUNTING PLATE

Secures cable runway to the top of Standard and Universal equipment racks. J-Bolts hook under the mounting plate to secure the plate to the rack's top angles. Mounts either parallel or perpendicular. For proper attachment of 6"W (150 mm) Cable Runway, use top bars (13045 Series) rather than top angles on your rack.

- Various sizes accommodate our popular cable runway widths and rack depths
- Parallel or perpendicular mounting, simply turn the mounting plate
- Kit consists of:
  - (1) mounting plate
  - (4) J-Bolts, 5/16-18
  - (4) hex nuts, 5/16-18
  - (4) split lock washers, 5/16"



**Parallel Mounting  
on Rack with 3"D (80 mm) Channel**



**Perpendicular Mounting  
on Rack with 3"D (80 mm) Channel**



| Part Number   | Runway Width in (mm)  | Plate Material | Shipping Weight lb (kg) |
|---|-----------------------|----------------|-------------------------|
| <b>3" (80 mm) Channel Rack-To-Runway Mounting Plate</b> |                       |                |                         |
| 10595-X04   | 4 (100)               | Steel          | 4 (1.8)                 |
| 10595-X08   | 5 to 8 (130 to 200)   | Steel          | 5 (2.3)                 |
| 10595-X12   | 9 to 12 (230 to 300)  | Steel          | 5 (2.3)                 |
| 10595-X18   | 15 to 18 (380 to 460) | Steel          | 7 (3.2)                 |
| 12408-X24*  | 20 to 24 (510 to 610) | Aluminum       | 4 (1.8)                 |

Note: (X) denotes finish color: 1=Gray, 2=Computer Beige, 7=Black, E=Glacier White. 10595 is available in (-0) for Gold Finish color. Kits include gold color hardware, gray and black kits include black color hardware.

\* P/N 12408-X24 and 12409-X24 include hat-shaped mounting plate that adds 1.25" to the height of the rack.

800-834-4969 in U.S. & Canada • [www.chatsworth.com](http://www.chatsworth.com)