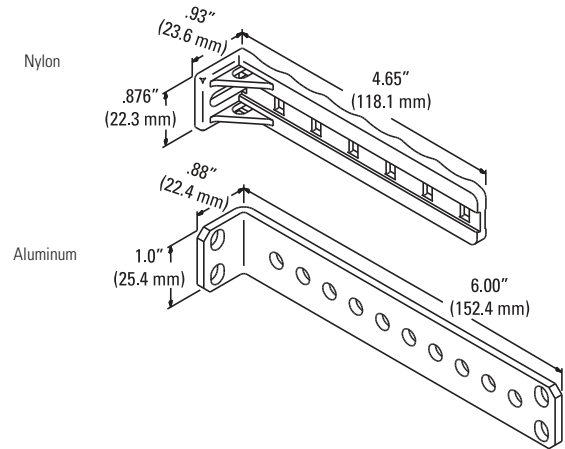


# Product Cut Sheet

## STAND-OFF TIE BRACKET

These brackets mount to the back of the rack channel to provide a convenient point to tie-down cable runs.

- Choice of either non-conductive nylon or high strength aluminum
- Either end of the aluminum bracket can be attached to rack, allowing cabling to run several different ways
- Mounting hardware not included



Part Number		Description	Shipping Weight lb (kg)
Each	Box of 50		
10001-001	10001-050	1 x 5 (30 x 130), White Nylon	3 (1.4)
10559-X00	10559-X50	1 x 6 (30 x 150), Aluminum	5 (2.3)

X=color: 1=Gray, 2=Computer Beige, 5=Clear, 7=Black, E=Glacier White. Shipping Weights are for Box of 50.

800-834-4969 in U.S. & Canada • [www.chatsworth.com](http://www.chatsworth.com)



CHATSWORTH PRODUCTS

©2013 Chatsworth Products, Inc. All rights reserved. CPI, CPI Passive Cooling, GlobalFrame, MegaFrame, Saf-T-Grip, Seismic Frame, SlimFrame, TeraFrame, Cube-iT Plus, Evolution, OnTrac, Velocity and QuadraRack are federally registered trademarks of Chatsworth Products. eConnect and Simply Efficient are trademarks of Chatsworth Products. All other trademarks belong to their respective companies. 07/13