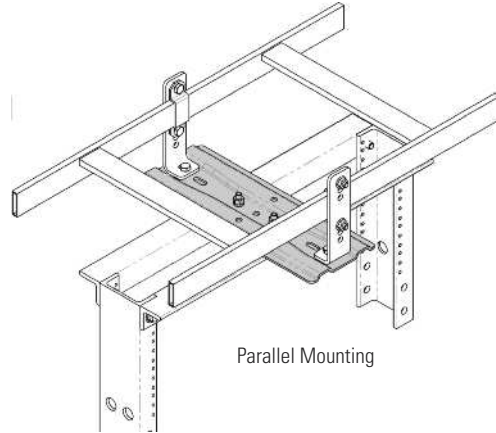
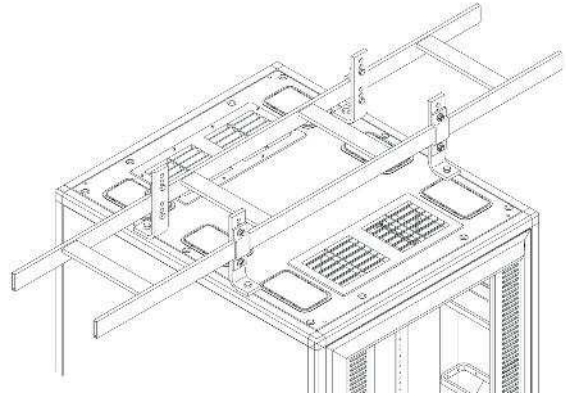


Product Cut Sheet

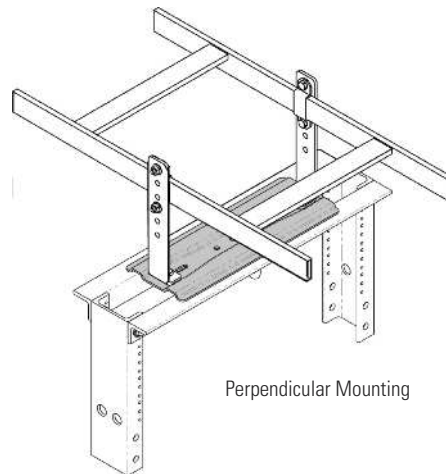
CABLE RUNWAY ELEVATION KIT

Supports Cable Runway above a continuous row of CPI Racks or Cabinets of varying height and provides additional space between the tops of the racks or cabinets and the cable runway, which can create smoother transition of cables.

- Three ranges of incremental elevation
- Can be mounted perpendicular or parallel
- Rack kit includes a single pair of brackets and assembly hardware
- Rack kits attach to the top of the rack with a Rack-To-Runway Mounting Plate (P/N 10595 or 12121, sold separately)
- Cabinet kits include two pairs of brackets and assembly hardware
- Cabinet kits attach directly to the top of the cabinet



Parallel Mounting



Perpendicular Mounting

Rack	Shipping Weight - lb (kg)	Cabinet	Shipping Weight - lb (kg)
2", 2.5" or 3"H (50 mm, 64 mm or 80 mm) Elevation			
10506-X02	2 (0.9)	10506-X12	2 (0.9)
4", 5" or 6"H (100 mm, 130 mm or 150 mm) Elevation			
10506-X06	3 (1.4)	10506-X16	5 (2.3)
10", 11" or 12"H (250 mm, 280 mm or 300 mm) Elevation			
10506-X08	2 (0.9)	10506-X18	4 (1.8)

X=color: 1=Gray, 2=Computer Beige, 7=Black, E=Glacier White. Kits have gold colored hardware. Gray (-1) and Black (-7) kits have black colored hardware.

800-834-4969 in U.S. & Canada • www.chatsworth.com



CHATSWORTH PRODUCTS

©2013 Chatsworth Products, Inc. All rights reserved. CPI, CPI Passive Cooling, GlobalFrame, MegaFrame, Saf-T-Grip, Seismic Frame, SlimFrame, TeraFrame, Cube-IT Plus, Evolution, OnTrac, Velocity and QuadraRack are federally registered trademarks of Chatsworth Products. eConnect and Simply Efficient are trademarks of Chatsworth Products. All other trademarks belong to their respective companies. 6/13