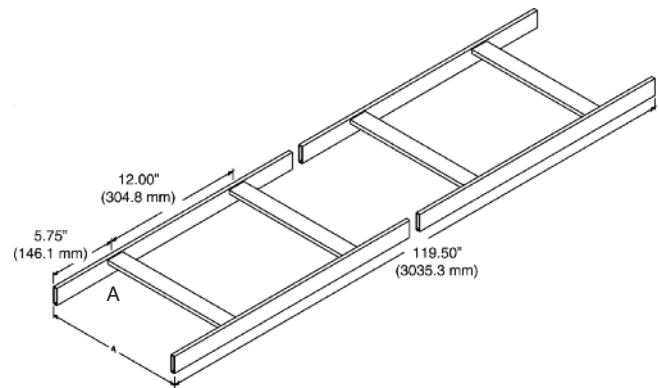
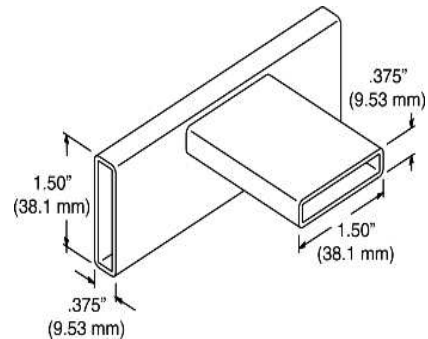


Product Cut Sheet

UNIVERSAL CABLE RUNWAY

Our most popular cable runway is designed for value conscious customers. The Universal Cable Runway offers the industry standard features you've come to expect. With the runway supported every 5' (1.5 m), maximum load with minimal deflection is 132 lb/ft (59.9 kg).

- Made of 3/8" x 1-1/2" x .065" (9.53 mm x 38 mm x 1.65 mm) wall rectangular steel tubing
- Cross members welded at 12" (300 mm) intervals
- Individually boxed to prevent scratches and damage
- Standard length is 9'-11 1/2"/119.5" (3035 mm)
- Underwriters Laboratory Classified for suitability as an equipment grounding conductor only (must remove paint or use ground straps)
- Installation Best Practices includes Runway Elevation Kit



| Part Number | Width (Dim. A) in (mm) | Shipping Weight lb (kg) |
|-------------|------------------------|-------------------------|
| 10250-X04 | 4 (100) | 18 (8.2) |
| 10250-X06 | 6 (150) | 19 (8.6) |
| 10250-X09 | 9 (230) | 20 (9.1) |
| 10250-X12 | 12 (300) | 25 (11.3) |
| 10250-X15 | 15 (380) | 27 (12.2) |
| 10250-X18 | 18 (460) | 29 (13.2) |
| 10250-X24 | 24 (610) | 32 (14.5) |
| 10250-X31 | 30 (760) | 35 (15.7) |
| 10250-X37 | 36 (910) | 38 (17.2) |

X=color; 1=Gray, 2=Computer Beige, 7=Black, E=Glacier White.

800-834-4969 in U.S. & Canada • www.chatsworth.com



CHATSWORTH PRODUCTS

©2013 Chatsworth Products, Inc. All rights reserved. CPI, CPI Passive Cooling, GlobalFrame, MegaFrame, Saf-T-Grip, Seismic Frame, SlimFrame, TeraFrame, Cube-IT Plus, Evolution, OnTrac, Velocity and QuadraRack are federally registered trademarks of Chatsworth Products. eConnect and Simply Efficient are trademarks of Chatsworth Products. All other trademarks belong to their respective companies. 6/13