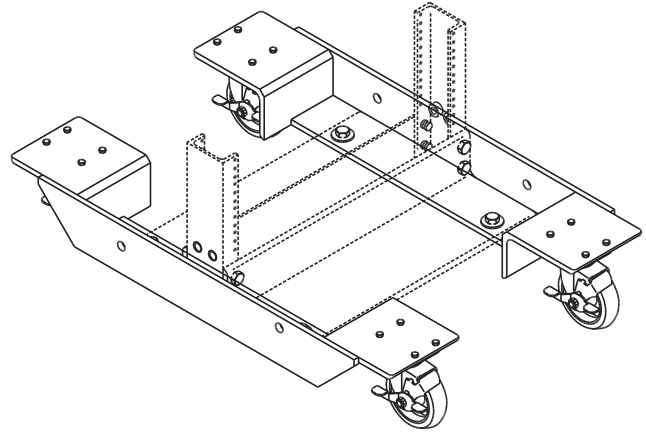


# Product Cut Sheet

## RACK UNIVERSAL DOLLY WHEELS

Allows rack to be moved, providing access to equipment for maintenance, testing, cleaning, etc. Wheels may be locked to prevent moving during assembly stages. (Note: Not to be used with enclosures)

- Two-piece construction of 3/8" aluminum
- Holds any width self-support rack or frame
- Rack mounting hardware included
- Load capacity of 1,000 lb



**Note:** Vertical cabling sections cannot be used on dolly-mounted racks. Can be used with 2-Post, Universal, Standard or 6' Deep Racks.

PART NUMBER	Color	Shipping Weight
10175-100	Gray	20 lb
10175-200	Computer White	20 lb
10175-500	Clear	20 lb
10175-700	Black	20 lb

800-834-4969 in U.S. & Canada • [www.chatsworth.com](http://www.chatsworth.com)



CHATSWORTH PRODUCTS, INC.

©2010 Chatsworth Products, Inc. All rights reserved. CPI, CPI Passive Cooling, MegaFrame, Saf-T-Grip, Seismic Frame, SlimFrame, TeraFrame, Cube-iT Plus, Evolution, OnTrac, and QuadraRack are federally registered trademarks of Chatsworth Products, Inc. GlobalFrame, Simply Efficient and Velocity are trademarks of Chatsworth Products, Inc. All other trademarks belong to their respective companies. 12/10