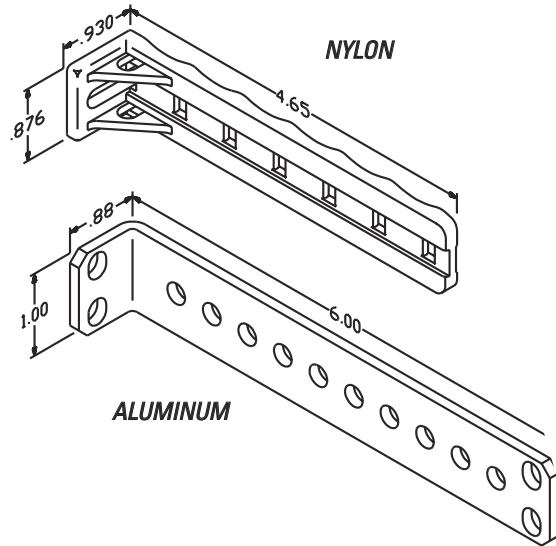


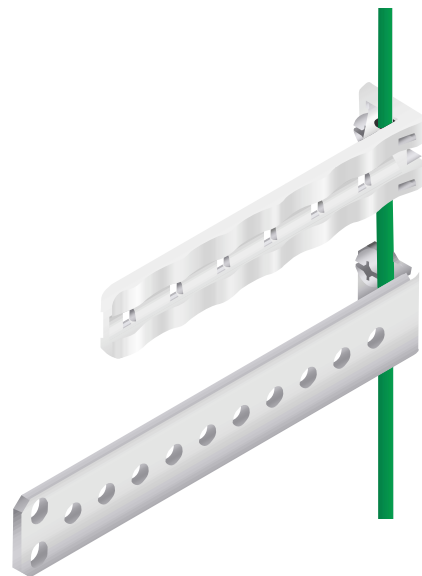
# Product Information Sheet

## STAND-OFF TIE-DOWN "L" BRACKETS

These "L" brackets mount to the back of the rack channel to provide a convenient tie-down point for grounding and bonding cable runs. Available in nonconductive nylon or high-strength aluminum construction. Either end of the aluminum bracket can be attached to the rack or cabinet face, allowing cable run in several different ways.



Part Number	Description	Unit	Shipping Weight
10001-001	1"W x 5"L White Nylon	1	1 lb
10001-050	1"W x 5"L White Nylon	50	3 lb
10559-500	1"W x 6"L Clear Aluminum	1	1 lb
10559-550	1"W x 6"L Clear Aluminum	50	5 lb



800-834-4969 in U.S. & Canada • [www.chatsworth.com](http://www.chatsworth.com)



CHATSWORTH PRODUCTS, INC.

©2003 Chatsworth Products, Inc. All rights reserved. CPI is a registered trademark of Chatsworth Products, Inc. All other trademarks belong to their respective companies. 06/03