

**Rittal – The System.**

Faster – better – everywhere.

# Small enclosures KX

Technical documentation  
Load capacity



ENCLOSURES

POWER DISTRIBUTION

CLIMATE CONTROL

IT INFRASTRUCTURE

SOFTWARE & SERVICES

FRIEDHELM LOH GROUP



# Small enclosures KX

## Contents/general remarks

---

### Contents

<b>1. General notes</b> .....	<b>2</b>
<b>2. Enclosures</b> .....	<b>3</b>
<b>3. Mounting plate</b> .....	<b>4</b>
<b>4. Support rail</b> .....	<b>4</b>
<b>5. Door/cover</b> .....	<b>5</b>
<b>6. Mounting variants</b> .....	<b>6</b>
6.1 Wall mounting bracket .....	6
6.2 Wall mounting bracket .....	6
6.3 Wall angle.....	6
6.4 Pole clamp .....	7

---

### 1. General notes

Based on the results of in-depth testing, we hope that this technical documentation will guide you through the assembly of enclosures/housings.

The technical descriptions for the various loading options with the KX small enclosures are not warranted properties, and we are unable to accept any liability in this regard.

Additionally, Rittal reserves the right to extend or modify this technical documentation as and when necessary.

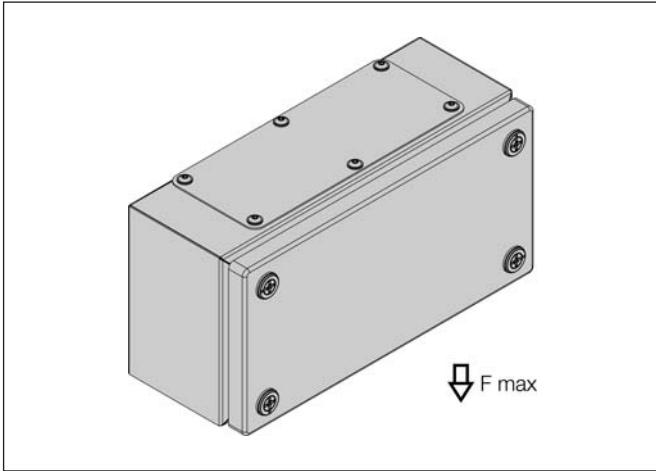
To aid understanding of the load specifications given in Newtons, here is the conversion formula for converting into kilograms.

$$F \text{ [N]} = m \text{ [kg]} \cdot g \text{ [m/s}^2\text{]}$$

$$\text{Example: } 9.81 \text{ N} = 1 \text{ kg} \cdot 9.81 \text{ m/s}^2$$

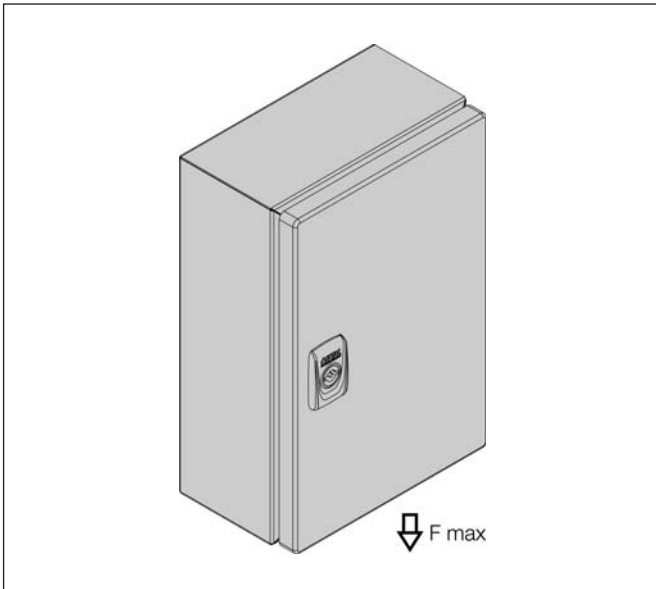
Should you have any further questions or suggestions on the points raised in this technical documentation, please get in touch with your Rittal specialist advisor.

### 2. Enclosures



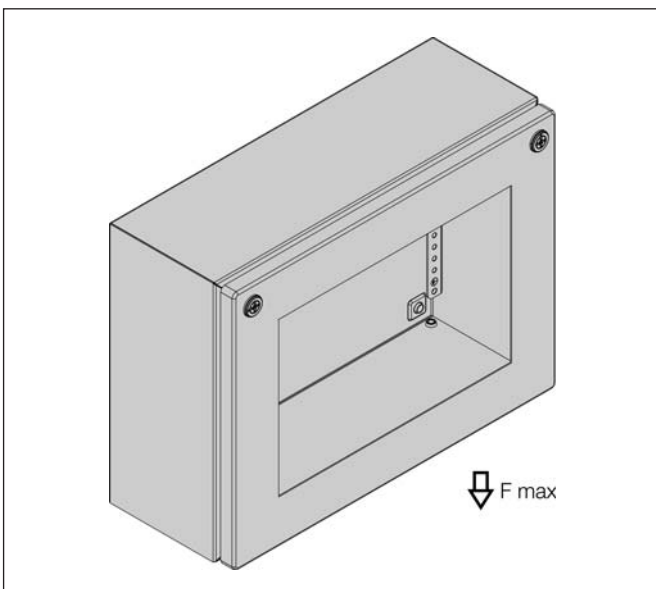
#### Overall load, terminal boxes KX

Model No. Sheet steel	F [N]
1500.000, 1514.000, 1528.000, 1529.000	200
1501.000, 1515.000, 1530.000	250
1502.000, 1503.000, 1516.000, 1517.000, 1531.000, 1589.000	350
1504.000, 1505.000, 1507.000, 1508.000, 1509.000, 1511.000, 1518.000, 1532.000, 1533.000, 1535.000, 1536.000, 1537.000, 1539.000	650
1506.000, 1510.000, 1512.000, 1513.000, 1527.000, 1538.000, 1540.000, 1541.000	900



#### Overall load, E-Box KX

Model No. Sheet steel	F [N]
1545.000, 1546.000, 1547.000, 1551.000, 1552.000, 1553.000	200
1548.000, 1549.000, 1550.000, 1554.000, 1555.000, 1556.000, 1557.000, 1577.000	250
1578.000	300
1579.000	325
1574.000, 1575.000, 1576.000	900



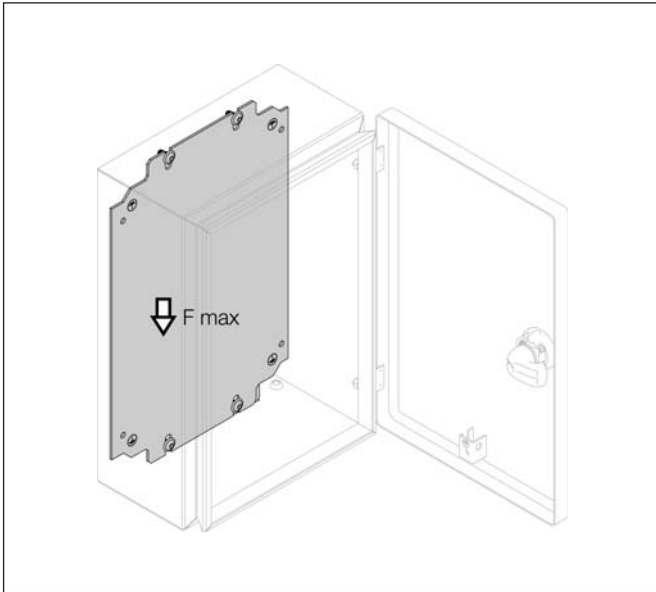
#### Overall load, bus enclosures KX

Model No. Sheet steel	F [N]
1610.000, 1611.000, 1612.000, 1613.000	250

# Small enclosures KX

## Load capacity

### 3. Mounting plate

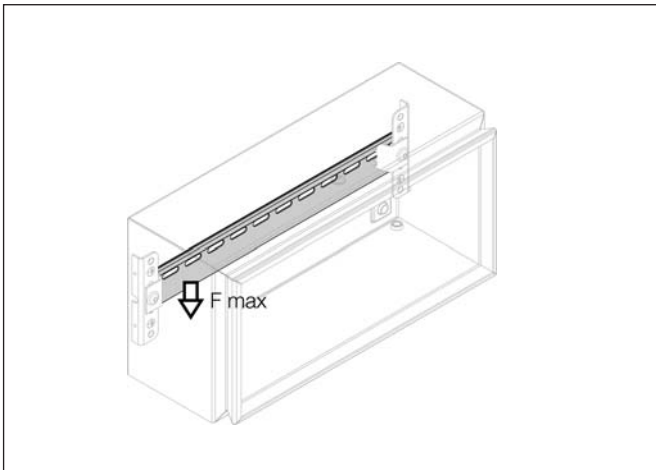


In standard enclosures.  
Load values apply to symmetrical loading.

Model No. Sheet steel	F [N]
1500.000, 1501.000, 1514.000, 1515.000, 1528.000, 1529.000, 1530.000, 1545.000, 1546.000, 1547.000, 1551.000, 1552.000, 1553.000, 1589.000	100
1548.000, 1549.000, 1550.000, 1554.000, 1555.000, 1556.000, 1557.000, 1577.000, 1610.000, 1611.000	150
1502.000, 1503.000, 1516.000, 1517.000, 1531.000, 1578.000, 1579.000, 1612.000, 1613.000	200
1504.000, 1505.000, 1507.000, 1508.000, 1509.000, 1511.000, 1518.000, 1532.000, 1533.000, 1535.000, 1536.000, 1537.000, 1539.000	400
1506.000, 1510.000, 1512.000, 1513.000, 1527.000, 1538.000, 1540.000, 1541.000, 1574.000, 1575.000, 1576.000	600

### 4. Support rail

TS 35/7.5 and TS 35/15 to EN 60 715 for terminal boxes KX with and without gland plate in conjunction with mounting claw for second mounting level 2309.100

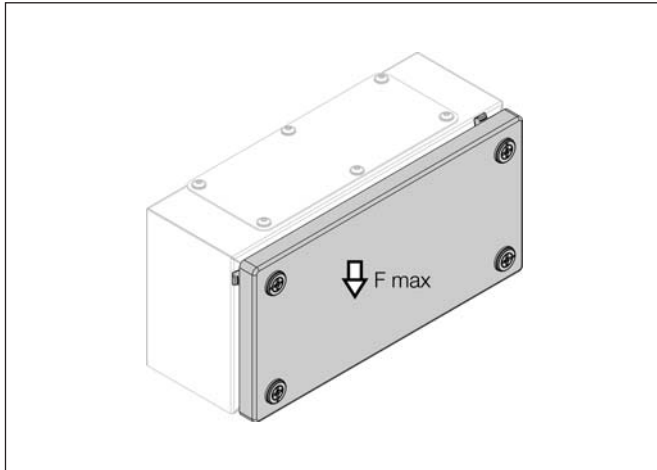


In standard enclosures.  
Load values apply to symmetrical loading.

Model No. Sheet steel	F [N]
1500.000, 1501.000, 1502.000, 1503.000, 1504.000, 1505.000, 1506.000, 1507.000, 1508.000, 1509.000, 1510.000, 1511.000, 1512.000, 1513.000, 1514.000, 1515.000, 1516.000, 1517.000, 1518.000, 1527.000, 1528.000, 1529.000, 1530.000, 1531.000, 1532.000, 1533.000, 1535.000, 1536.000, 1537.000, 1538.000, 1539.000, 1540.000, 1541.000, 1589.000	30

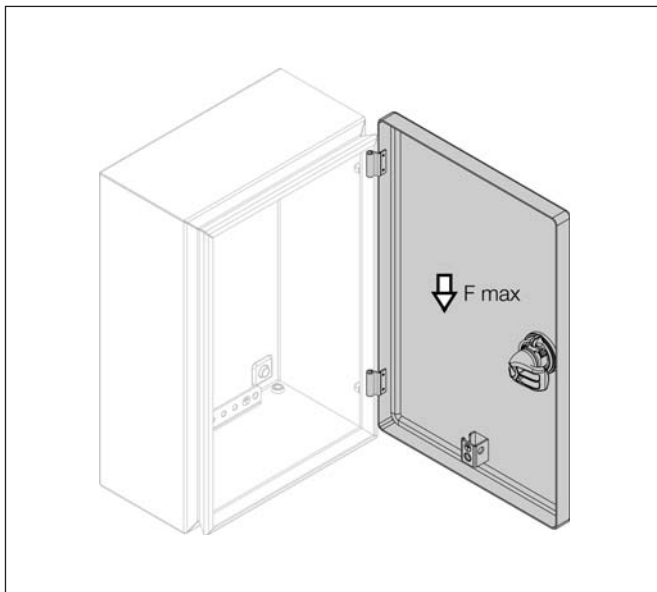
### 5. Door/cover

Load values apply to symmetrical loading.  
The enclosure must be securely attached to ensure its stability.



#### Terminal boxes KX

Model No. Sheet steel	F [N]
1500.000, 1514.000, 1528.000, 1529.000	50
1501.000, 1502.000, 1503.000, 1515.000, 1516.000, 1517.000, 1530.000, 1531.000	100
1504.000, 1505.000, 1507.000, 1508.000, 1509.000, 1511.000, 1518.000, 1532.000, 1533.000, 1535.000, 1536.000, 1537.000, 1539.000, 1589.000	200
1506.000, 1510.000, 1512.000, 1513.000, 1527.000, 1538.000, 1540.000, 1541.000	250



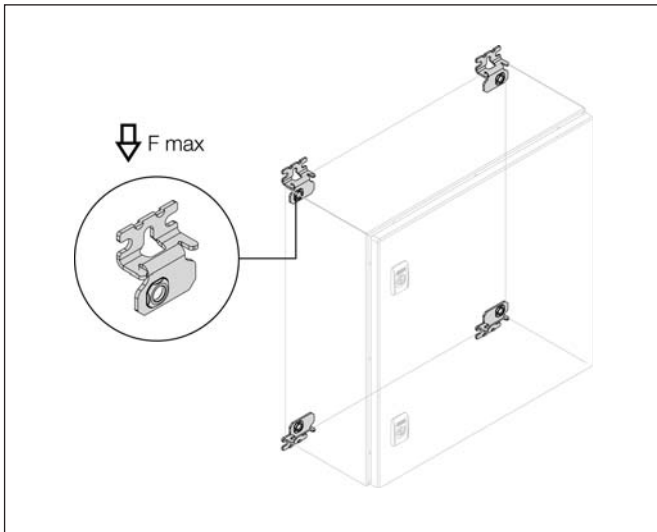
#### E-Box KX

Model No. Sheet steel	F [N]
1545.000, 1546.000, 1547.000, 1548.000, 1549.000, 1550.000, 1551.000, 1552.000, 1553.000, 1554.000, 1555.000, 1556.000, 1557.000, 1577.000, 1578.000	50
1579.000	75
1574.000, 1575.000, 1576.000	250

# Small enclosures KX

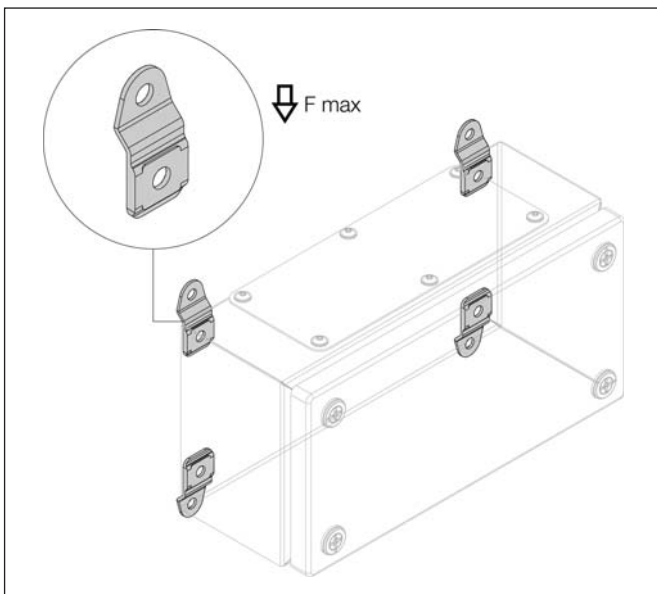
## Attachment

### 6. Mounting variants



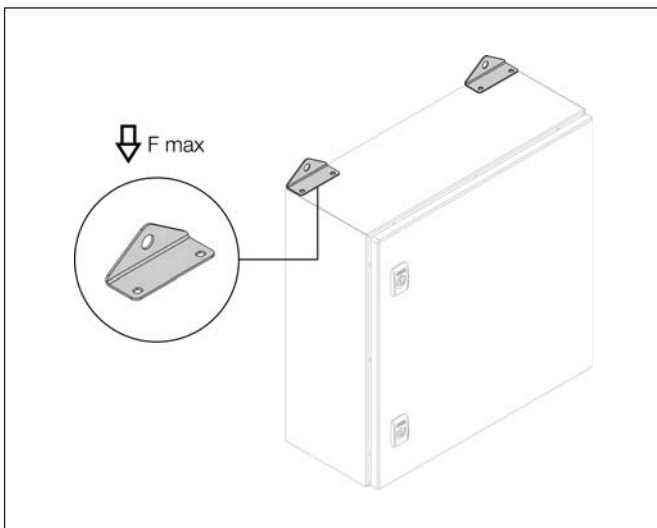
#### 6.1 Wall mounting bracket 2503.020, 2508.020, 2433.010, 2433.510

Can also be installed rotated through 90°.  
With symmetrical loading, the load for four brackets is  $F = 1500 \text{ N}$   
Note max. enclosure loading!



#### 6.2 Wall mounting bracket 1590.010, 1594.010

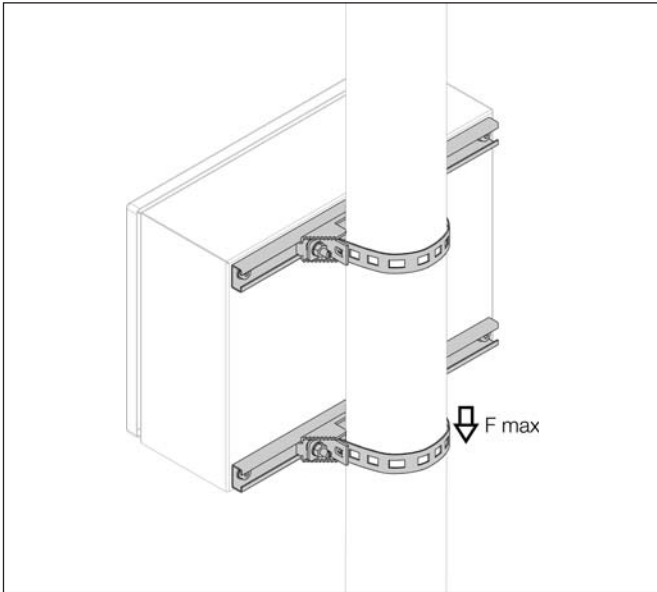
Can also be installed rotated through 90°.  
With symmetrical loading, the load for four brackets is  $F = 900 \text{ N}$   
Note max. enclosure loading!



#### 6.3 Wall angle 2505.510, 2583.010

With symmetrical loading, the load  
for four angles is  $F = 3000 \text{ N}$   
for two angles is  $F = 2000 \text{ N}$   
Note max. enclosure loading!

### 6. Mounting variants



#### 6.4 Pole clamp 2584.100

With symmetrical loading, the load for two pole clamps is  $F = 1000 \text{ N}$   
Note max. enclosure loading!

# Rittal – The System.

Faster – better – everywhere.

- Enclosures
- Power Distribution
- Climate Control
- IT Infrastructure
- Software & Services

You can find the contact details of all Rittal companies throughout the world here.



[www.rittal.com/contact](http://www.rittal.com/contact)

XWWW00220EN2060

ENCLOSURES

POWER DISTRIBUTION

CLIMATE CONTROL

IT INFRASTRUCTURE

SOFTWARE & SERVICES



FRIEDHELM LOH GROUP