

SZ

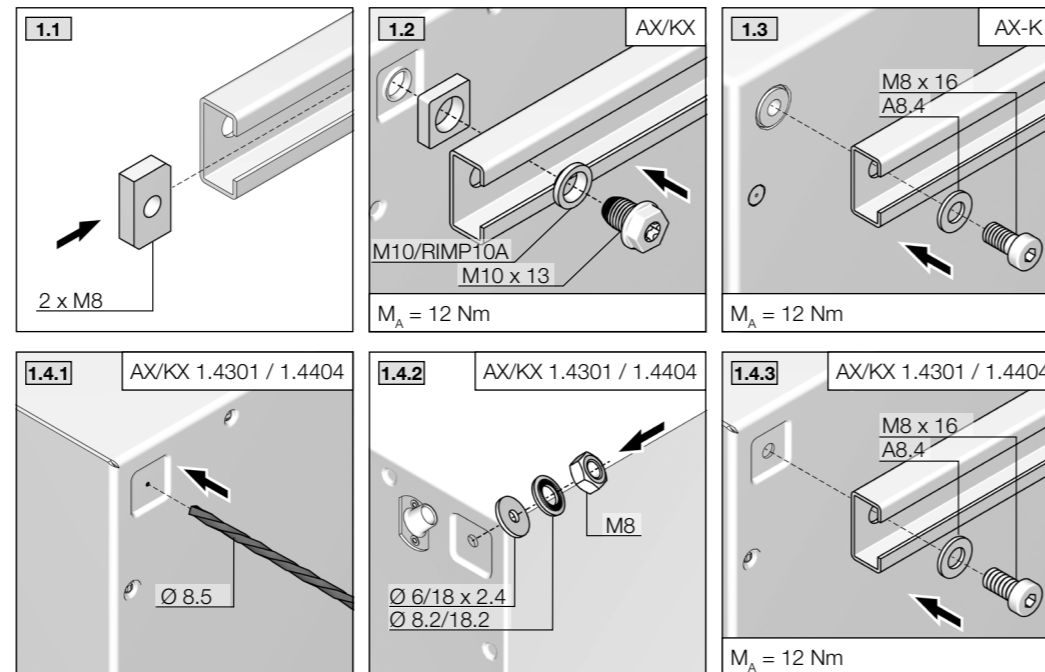
2584.100
AX, KX pole clamp
Only for use with Rittal
AX / KX series products



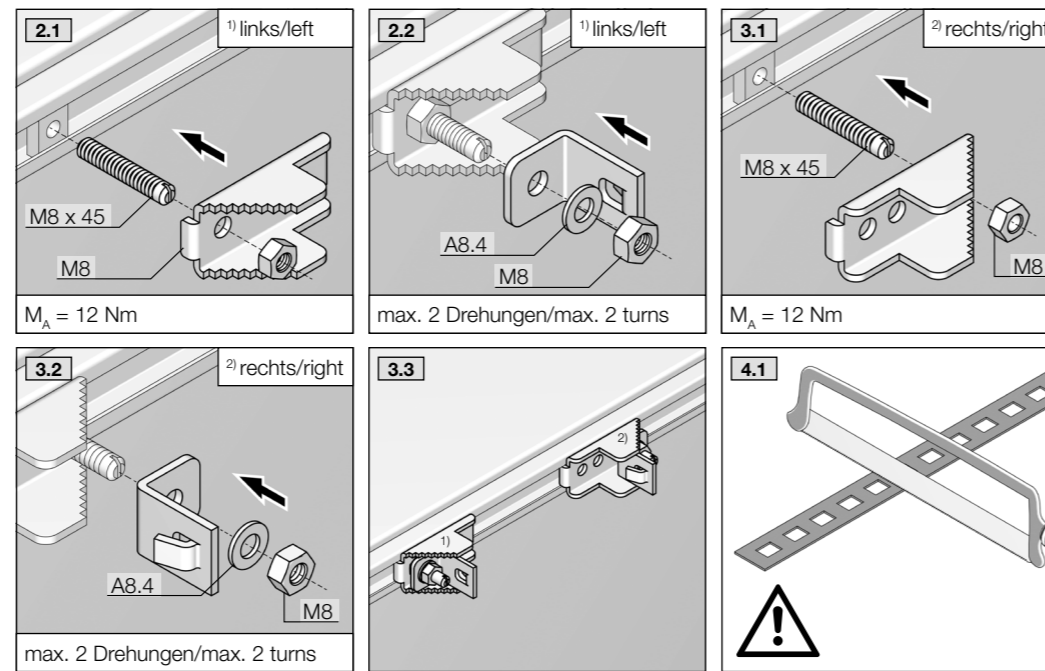
2 x		4 x		4 x	
4 x		4 x		4 x	
2 x		8 x		4 x	
4 x		12 x		4 x	
4 x		4 x			

Dok.-Nr. / No. of doc.: D-0000-00001875-02
Versandbeutel-Nr. / No. of accessory bag: 374009
Lieferanten-Nr. / No. of supplier: 6860000

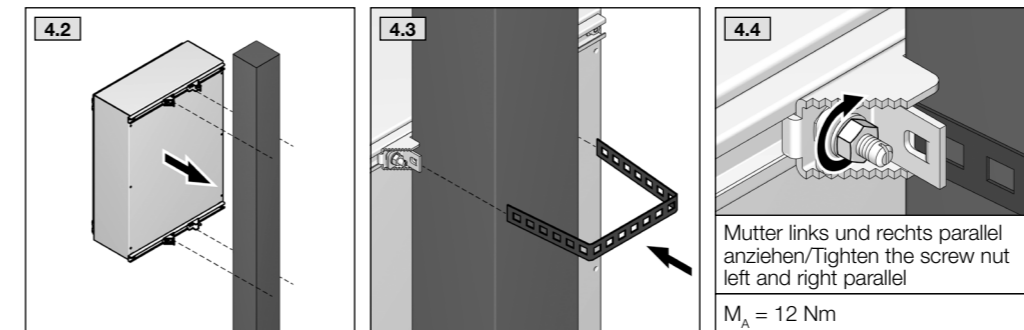
Montage am Gehäuse / Mounting at the enclosure



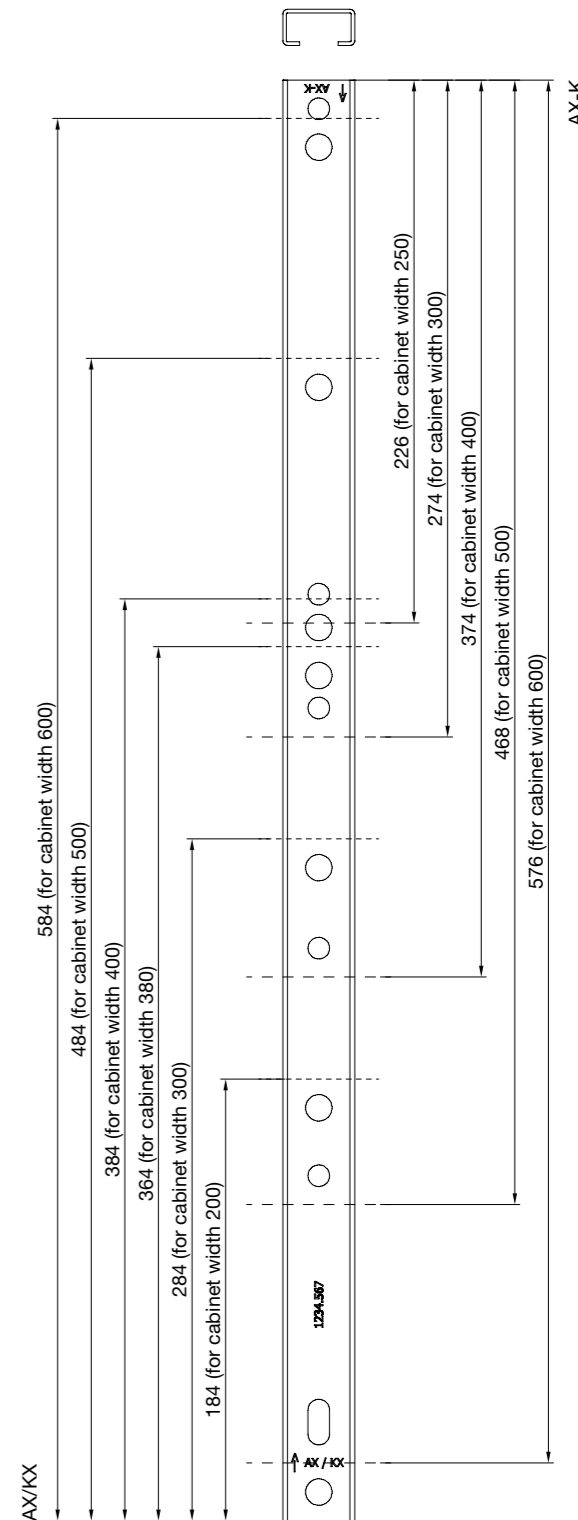
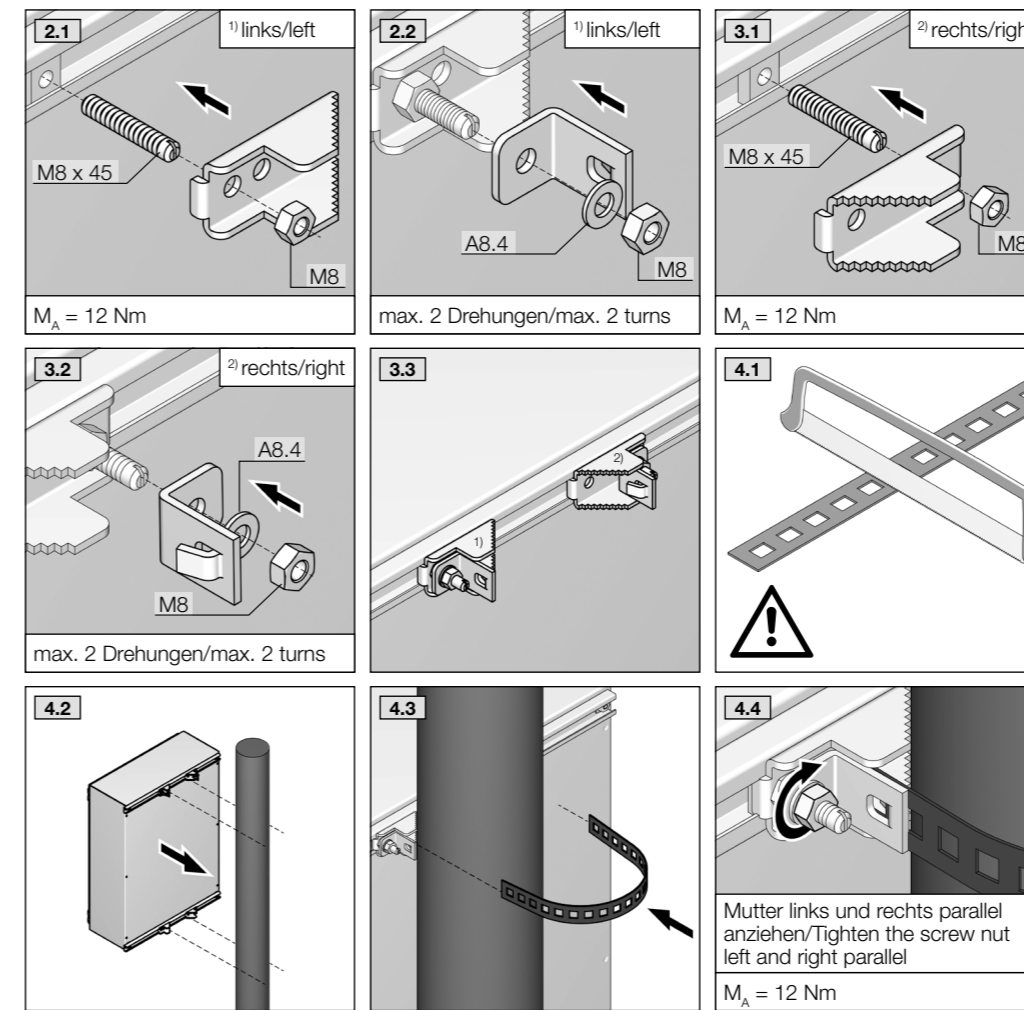
Montage am eckigen Pfosten/Mounting at the square pole



Montage am eckigen Pfosten/Mounting at the square pole



Montage am runden Pfosten/Mounting at the round pole



C-Profilschiene entsprechend der gewählten Schrankbreite ablängen.
Break down profile bar C in accordance with the chosen cabinet width.

