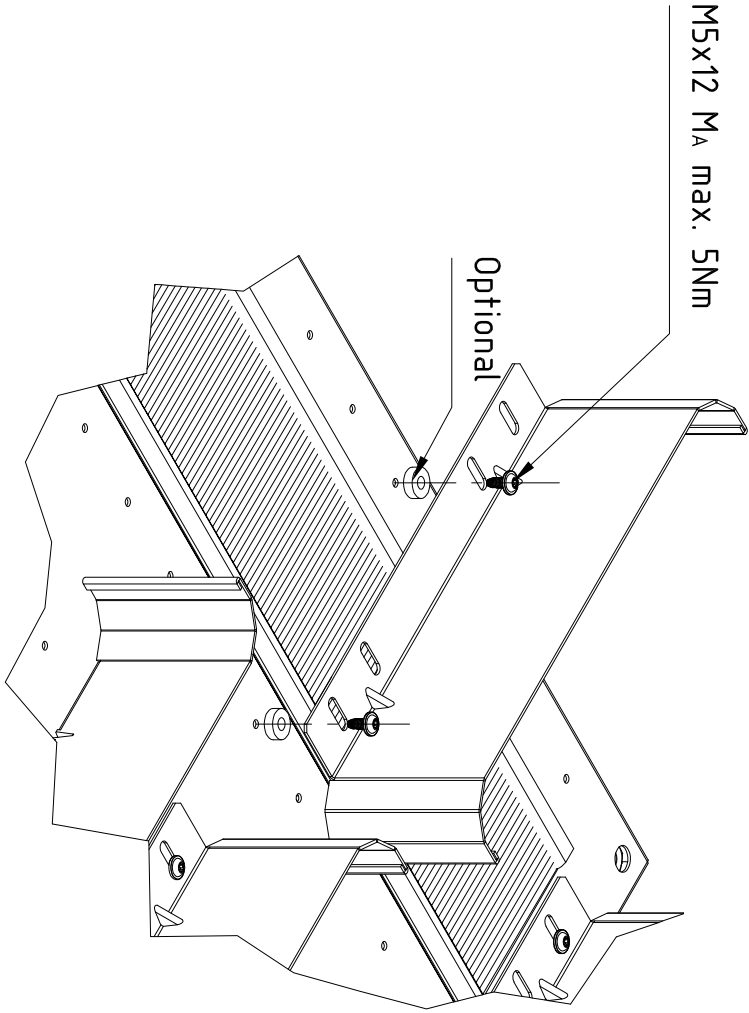


TE
7888.950



Raum für Verpackungsdatum
Area for date of packing
(MMJJTT / MMYDD)



8x



M5x12

8x



6,3x15x5

Zchng.-Nr. / No. of dwg. : A06518800TEA2
Versandbeutel-Nr. / No. of accessory bag :

Lieferanten-Nr. / No. of supplier :

