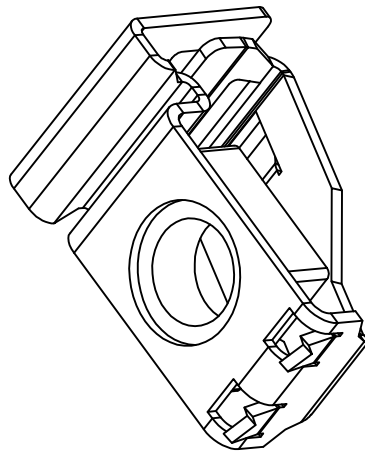




VX
4164500



www.rittal.com



20 x

M6

Zchng.-Nr. / No. of dwg. : A07660500VX

Versandbeutel-Nr. / No. of accessory bag : 201550

Lieferanten-Nr. / No. of supplier :

