

Rittal – The System.

Faster – better – everywhere.

► Support arm system CP, with new height-adjustable support section



ENCLOSURES

POWER DISTRIBUTION

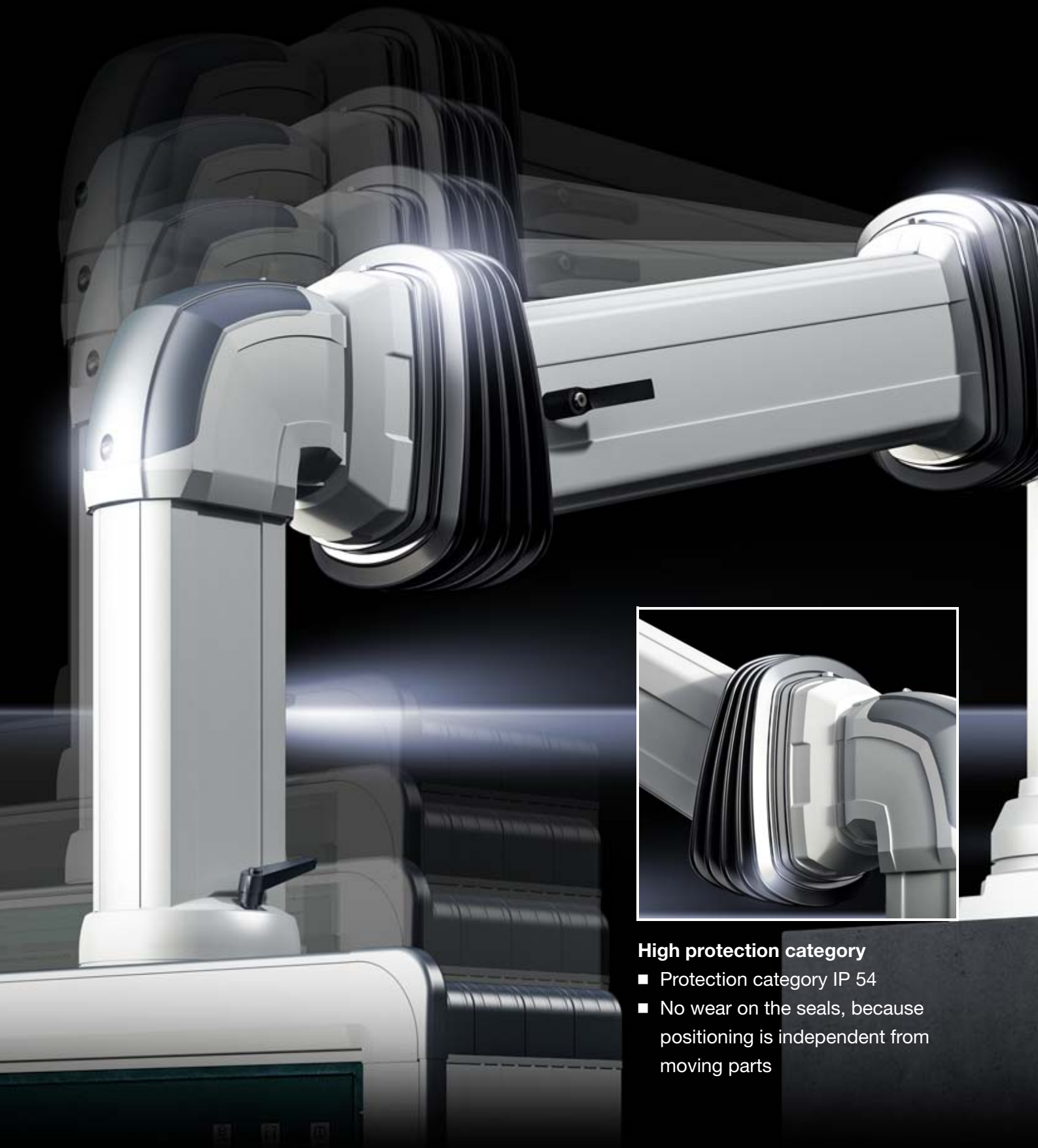
CLIMATE CONTROL

IT INFRASTRUCTURE

SOFTWARE & SERVICES



FRIEDHELM LOH GROUP



High protection category

- Protection category IP 54
- No wear on the seals, because positioning is independent from moving parts

Key data always visible

The new height-adjustable support section ensures that you always have a good view of the key parameters in human/machine interaction. Without any tricky adjustments, the height-adjustable support section may be moved into the correct ergonomic position at any time, and adapted to your personal workstation preferences in just a few movements. On the wall side, the system can be fitted directly to the components in the CP 120 support arm system without any further adaptation, and on the enclosure side, either to support arm system CP 60 or CP 120, depending on the model.

- Two systems cover a broad weight range from 4 to 60 kg
- High protection category IP 54
- Safe, simple cable routing



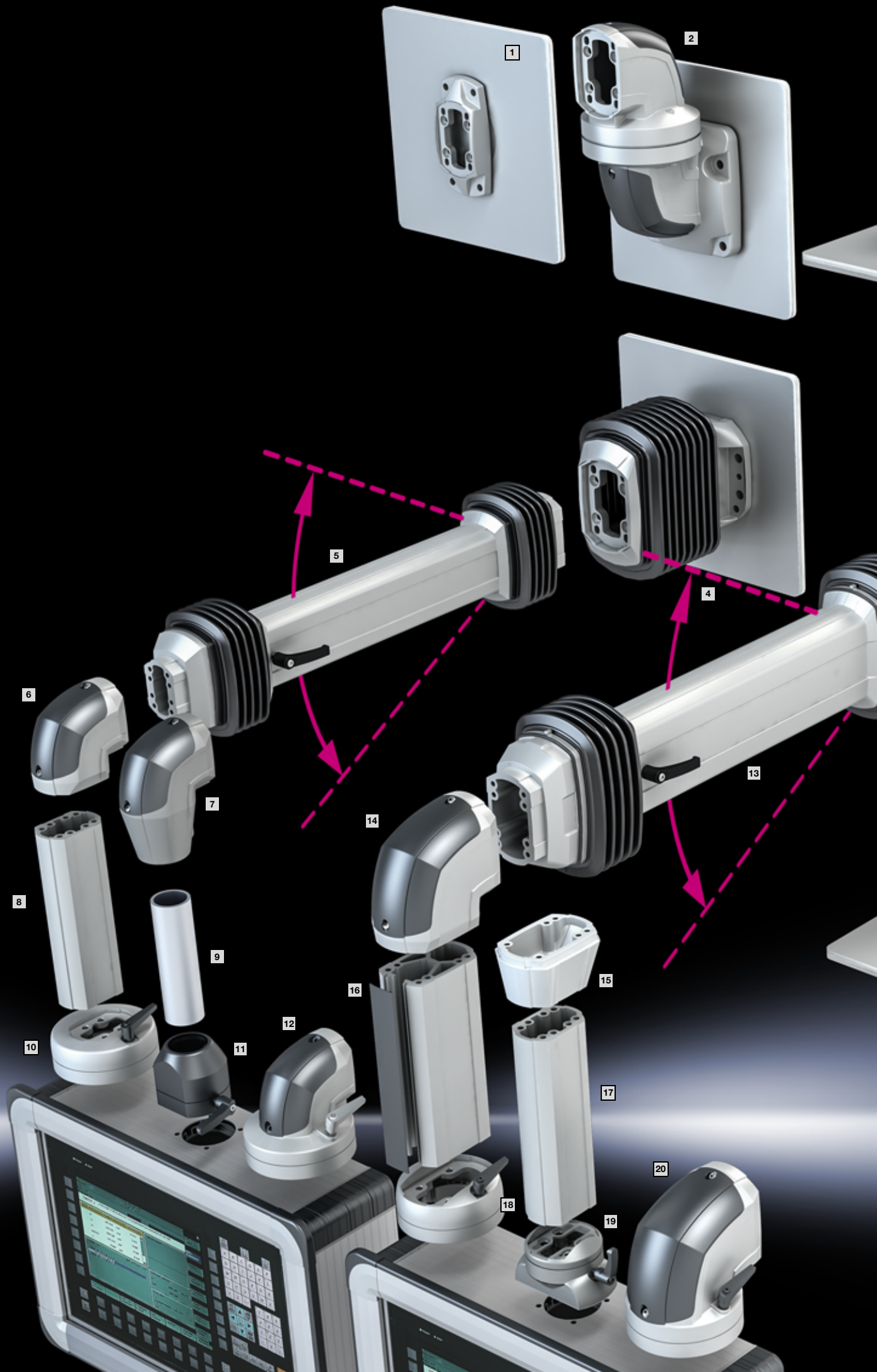
Safe cable routing

- Easy access to cable routing, thanks to removable side panel
- Large cable tray and cable routing at the rotation points for safety

- Up to 100% more space for cable routing
- Problem-free entry of pre-assembled connectors up to 17 x 59 mm – even retroactively

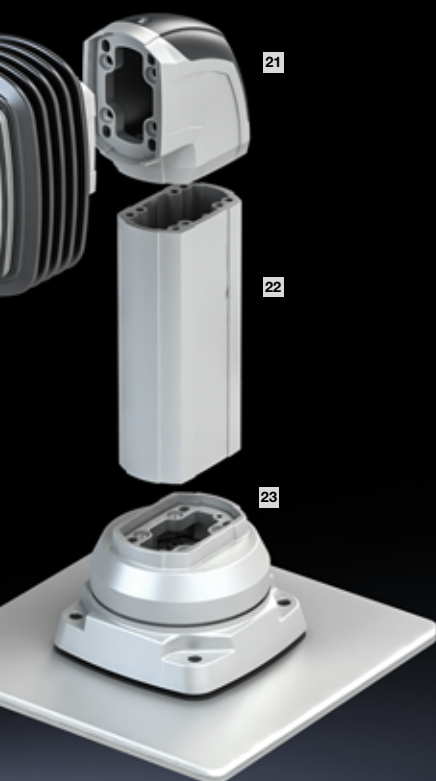
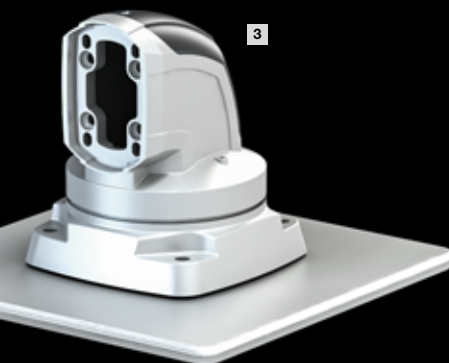
Flexible weight adjustment

- Simple, retrospective adjustment of the weight range without dismantling any components
- Moves safely into any required working position



Support arm system CP

Support section, height-adjustable



Overview of components

- 1** Wall/base mounting bracket CP 120, small (6212.820)
- 2** Wall-mounted hinge CP 120, horizontal outlet, with height offset (6212.740)
- 3** Top-mounted joint CP 120, horizontal outlet (6212.700)
- 4** Wall-mounted hinge CP 120, horizontal outlet, without height offset (6212.780)
- 5** **Support section, height-adjustable CP 120/CP 60 (6212.060)**
- 6** Angle piece 90° CP 60 (6206.600)
- 7** Angle adaptor 90° for support arm combination CP 60/40 (6206.640)
- 8** Support section CP 60 (6206.110, 6206.025, 6206.050, 6206.100, 6206.200)
- 9** Support section CP 40, steel (6501.000, 6501.020)
- 10** Coupling CP 60 for support arm connection Ø 130 mm (6206.300)
- 11** Coupling CP 40, steel, for support arm connection □ 90 x 71 mm (6501.050)
- 12** Angle coupling 90° CP 60 for support arm connection Ø 130 mm (6206.380)
- 13** **Support section, height-adjustable CP 120/CP 120 (6212.120)**
- 14** Angle piece 90° CP 120 (6212.600)
- 15** Adaptor for support arm combination CP 120/60 (6212.640)
- 16** Support section CP 120, open (6212.150, 6212.110, 6212.210)
- 17** Support section CP 60 (6206.110, 6206.025, 6206.050, 6206.100, 6206.200)
- 18** Coupling CP 120 for support arm connection Ø 130 mm (6212.300)
- 19** Coupling CP 60 for support arm connection □ 120 x 65 mm (6206.340)
- 20** Angle coupling 90° CP 120 for support arm connection Ø 130 mm (6212.380)
- 21** Angle piece 90° CP 120 (6212.600)
- 22** Support section CP 120, closed (6212.025, 6212.050, 6212.100, 6212.200)
- 23** Top-mounted joint CP 120, vertical outlet (6212.720)

Support arm system CP



Support section, height-adjustable

Superior ergonomic design, thanks to

- Adjustment range 600 mm (\pm 300 mm)
 - for tall and short operators
 - for seated and standing work
- Support arm holds securely in any position
- Additional fixing with clamping lever if required
- Precise coordination to the suspended load via an adjusting screw at the front of the support arm
- Adjusting screw can be accessed without dismantling any components
- Removable side panel for easy access to cable entry
- Tilt angle of the mounted enclosure is identical in every height position
- Cables with connectors such as DVI, VGA are easily inserted
- Broad weight range from 4 to 60 kg with just two systems

Colour:

- RAL 7035

Supply includes:

- Assembly parts

Note:

- Maximum cross-section for cable entry:
- 17 x 59 mm

Wall/machine side	Enclosure side	Overall length mm	Weight range kg ¹⁾	Model No.
CP 120	CP 60	726	4 – 30	6212.060
CP 120	CP 120	790	10 – 60	6212.120

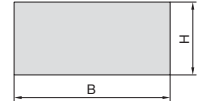
¹⁾ For configured enclosure and vertical support section

Cable tray

- CP 6212.060
30 x H 10 mm (W x H)
- CP 6212.120
43 x 21 mm (W x H)

Maximum connector dimensions

- CP 6212.060
41 x 17 mm (W x H)
- CP 6212.120
59 x 17 mm (W x H)



B = Width



Support arm configurator

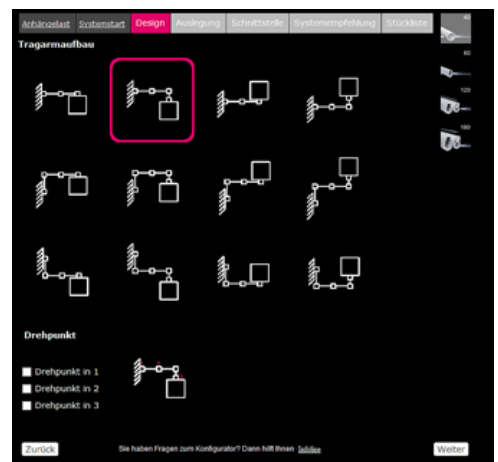
for CP 40/60/120/180

The tool determines the perfect system for your application from key user-specific parameters such as the jib length, enclosure weight or required cable cross-sections.

Benefits:

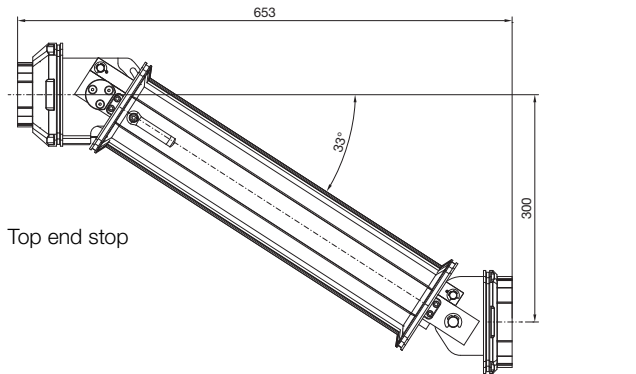
- Individual assembly tailored to the requirements of the application
- Built-in consistency check
- The outcome is a plausibility-checked parts list
- Detailed cutting dimensions for the support sections
- Free online configurator
- Simple, systematic menu prompting
- Seamless system solution
- Supply of CAD data for the configured system

www.rittal.com

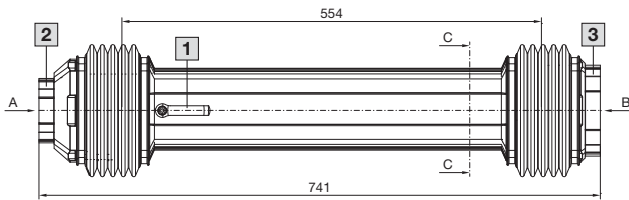


Support section, height-adjustable

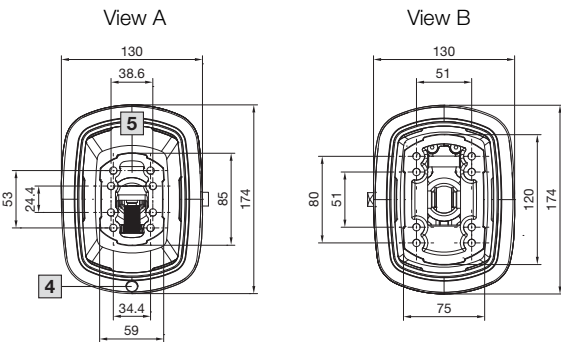
CP 6212.060, version 4 – 30 kg



Top end stop



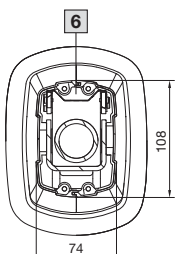
Bottom end stop



View A

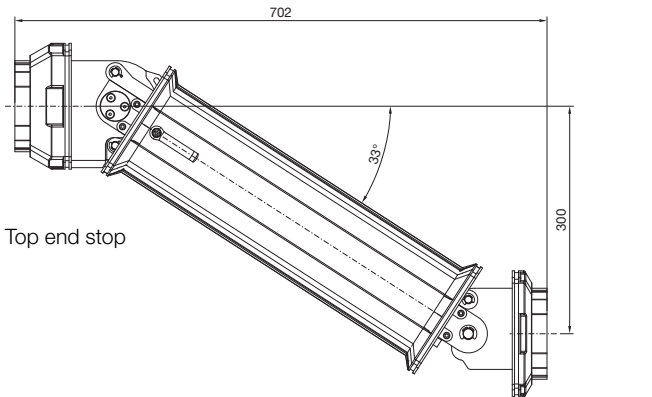
View B

Section C – C

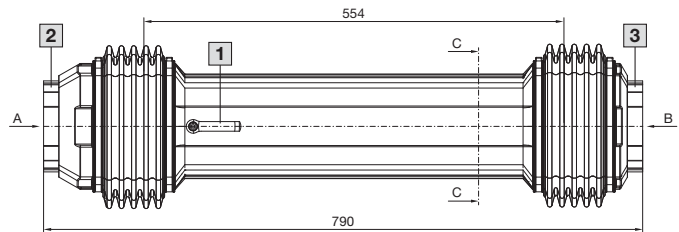


- 1 Locking supported
- 2 Support arm connection CP 60
- 3 Support arm connection CP 120
- 4 Supports weight adjustment from the outside
- 5 Connectors up to 41 x 17 mm may be inserted
- 6 Cable tray

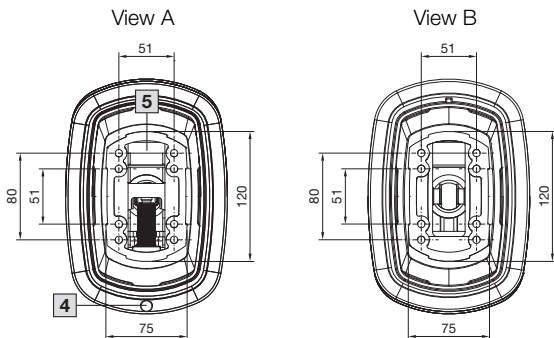
CP 6212.120, version 10 – 60 kg



Top end stop



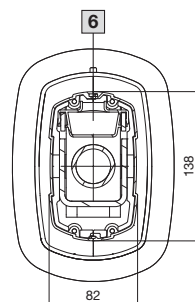
Bottom end stop



View A

View B

Section C – C



- 1 Locking supported
- 2 Support arm connection CP 120
- 3 Support arm connection CP 120
- 4 Supports weight adjustment from the outside
- 5 Connectors up to 59 x 17 mm may be inserted
- 6 Cable tray

Rittal – The System.

Faster – better – everywhere.

- Enclosures
- Power Distribution
- Climate Control
- IT Infrastructure
- Software & Services

You can find the contact details of all Rittal companies throughout the world here.



www.rittal.com/contact

ENCLOSURES

POWER DISTRIBUTION

CLIMATE CONTROL

IT INFRASTRUCTURE

SOFTWARE & SERVICES



FRIEDHELM LOH GROUP