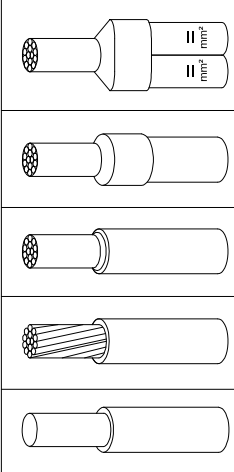
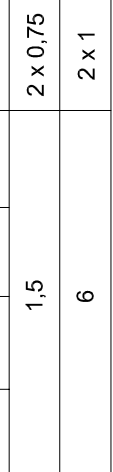
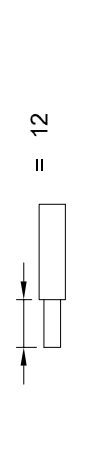
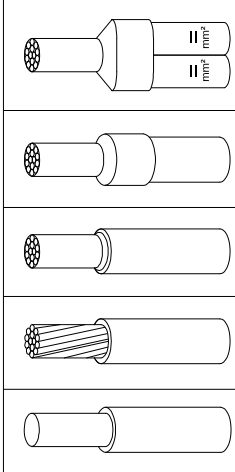

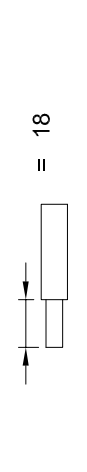


SV 9340.510, .520, .530, .550, .560, .660

	1,5	2 x 0,75	mm ²
	6	2 x 1	mm ²
			mm
min			
max			

SV 9340.610, .620, .630, .650

	2,5	2 x 1,5	mm ²
	16	2 x 4	mm ²
			mm
min			
max			

For further information: www.rittal.com



SV

9340.510, .520, .530, .550, .560

9340.610, .620, .630, .650, .660



Raum für Verpackungsdatum
Area for date of packing
(MMJJTT / MMYDDD)

1 SV OM-Adapter mit Zugfederklappen
60 mm Schienenmittenabstand

1 SV OM adaptor with tension spring clamp
60 mm busbar centre distance

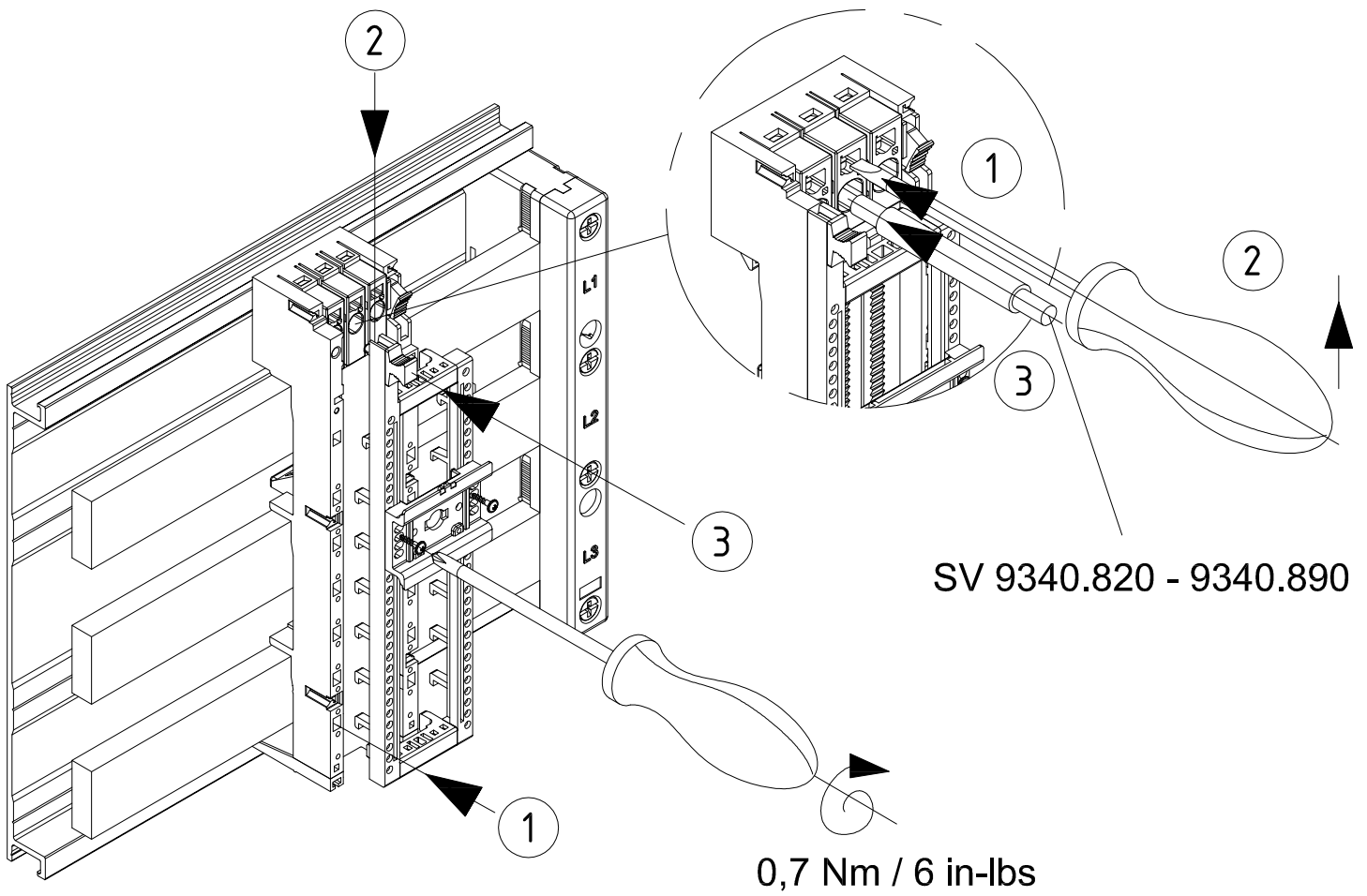
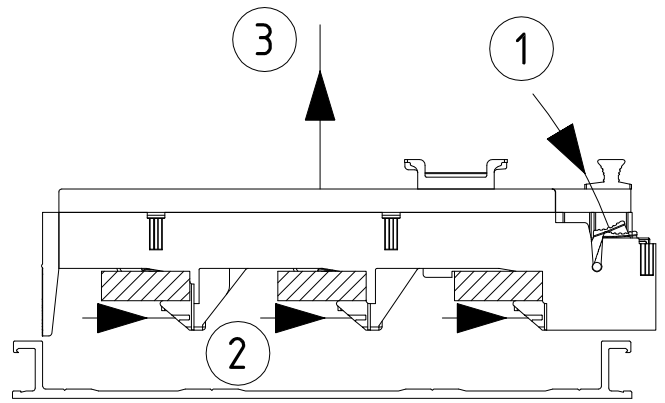
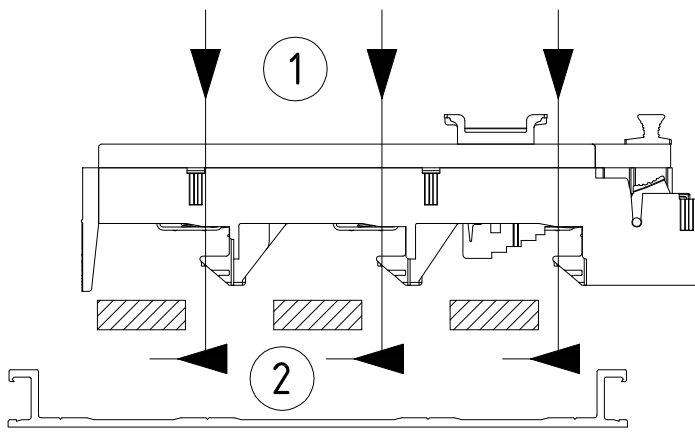
1 SV Adaptateurs OM, avec bornes à ressort
60 mm d'écartement entre les axes des barres

Zchng.-Nr. / No. of dwg. : A06684900SV
Versandbeutel-Nr. / No. of accessory bag : -

Lieferanten-Nr. / No. of supplier :

Montage / Assembly /
Montage

Demontage / Disassembly /
Démontage



A: 5 mm => 10 mm

A: 10 mm => 5 mm

