

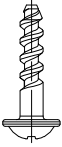


# SV

9340.310, .320, .340, .350, .370  
 9340.380, .390, .400, .410, .430  
 9340.450, .460, .470, .700, .710  
 9340.720, .730, .740, .750, .760  
 9340.770, .780, .790



Raum für Verpackungsdatum  
 Area for date of packing  
 (MMJJTT / MMYDDD)

1 SV OM-Adapter mit Anschlussleitungen 60 mm Schienenmittenabstand	 <b>2x</b> <b>2,5x8</b>
1 SV OM adaptor with connection cables 60 mm busbar centre distance	
1 SV Adaptateur OM, avec câbles de raccordement 60 mm d'écartement entre les axes des barres	
<b>SV 9340.370, .550, .760, .770</b>	

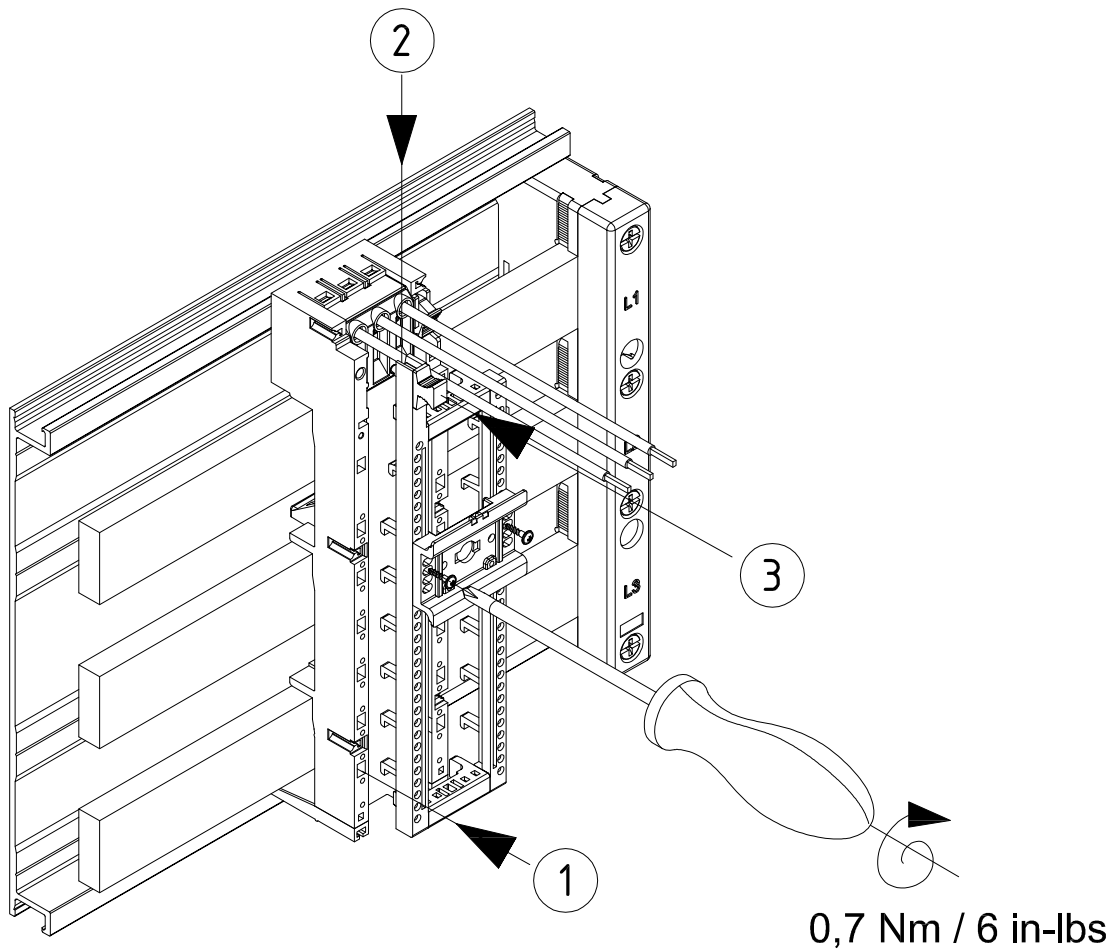
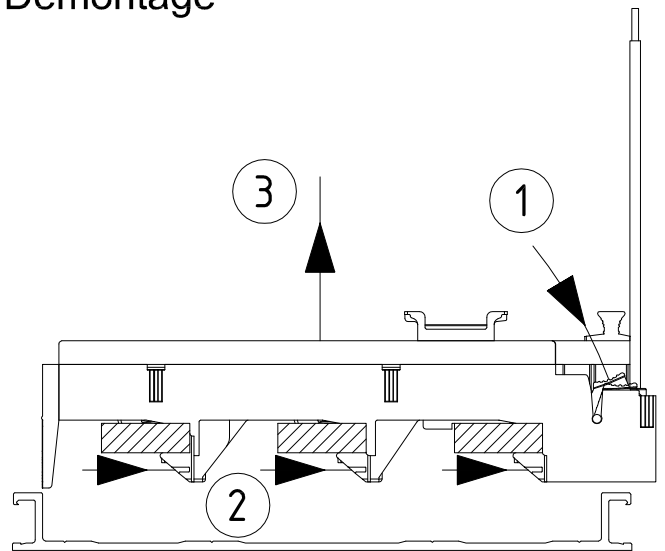
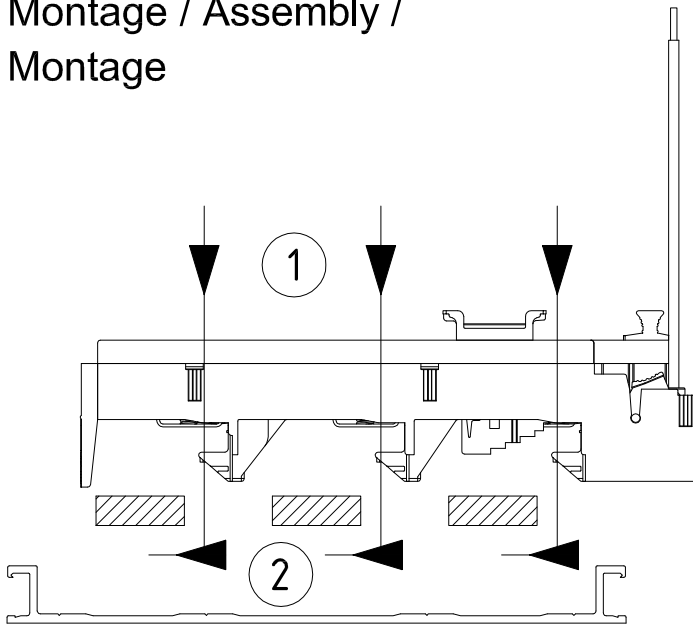
Zchg.-Nr. / No. of dwg. : A3983207SV  
 Versandbeutel-Nr. / No. of accessory bag : 80760972 Lieferant-Nr. / No. of supplier :

<b>Article No.</b>	<b>SV9340.310, .320, .340, .350, .370, .380, .390, .400, .410, .760, .770</b>	
Suitable for use on a circuit capable of delivering not more than SCCR symmetrical amperes [kA]	Maximum voltage [V]	Maximum condition when protected by
65	600	Class J 30A Fuses
50	600	A) Class K5 60A Fuses B) Combination motor controller (UL category NKJH) rated up to 27A, having an interrupting rating not less than 50kA symmetrical amperes
<b>Article No.</b>	<b>SV9340.410, .430, .450, .460, .470, .700, .710, .720, .730, .740, .750</b>	
Suitable for use on a circuit capable of delivering not more than SCCR symmetrical amperes [kA]	Maximum voltage [V]	Maximum condition when protected by
65	600	Class J 60A Fuses
30	600	Class K5 60A Fuses
30	480	Combination motor controller (UL category NKJH) rated up to 63A, having an interrupting rating not less than 50kA symmetrical amperes

For further information: [www.rittal.com](http://www.rittal.com)

Montage / Assembly /  
Montage

Demontage / Disassembly /  
Démontage



A: 5 mm => 10 mm

A: 10 mm => 5 mm

