



# Rittal DK-TS

**Netzwerkschränke & Zubehör**

---

**Network enclosures & accessories**

---

**Armoires de réseaux & accessoires**

---

**Netwerkkasten & toebehoren**

---

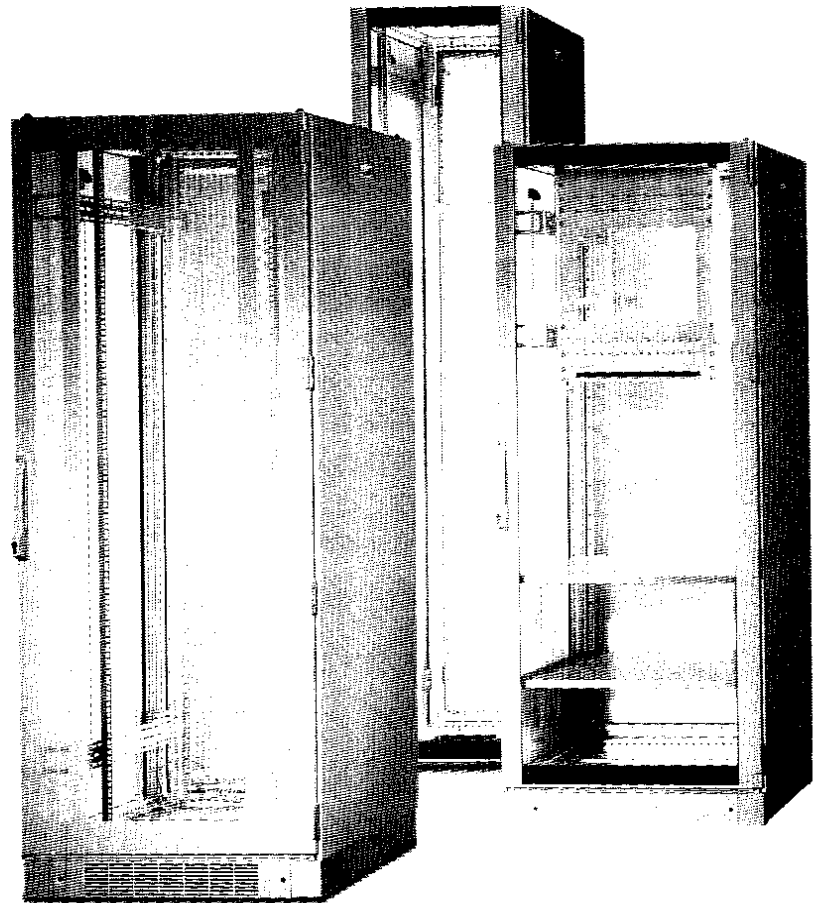
**Nätverksskåp & tillbehör**

---

**Armadi per reti & accessori**

---

**Armarios para redes & accesorios**



**Montageanleitung**

---

**Assembly Instructions**

---

**Notice de montage**

---

**Montage-instructie**

---

**Montageanvisning**

---

**Istruzioni di montaggio**

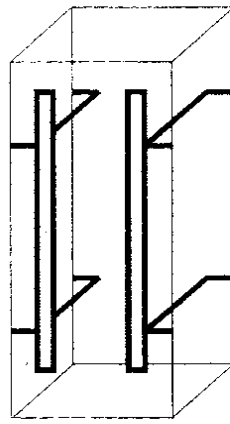
---

**Instrucciones de montaje**

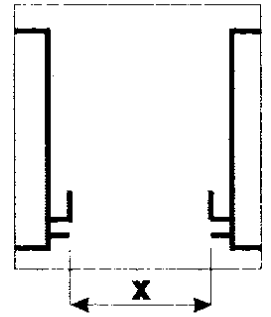
**Umschalten auf Perfektion**

**RITTAL**

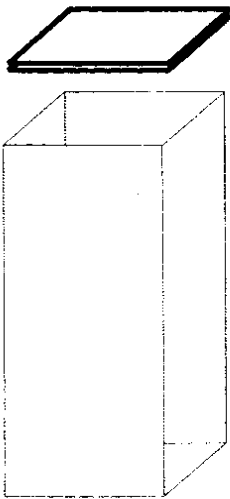
**Inhalt**  
**Contents**  
**Contenu**  
**Inhoud**  
**Innehåll**  
**Indice**  
**Contenido**



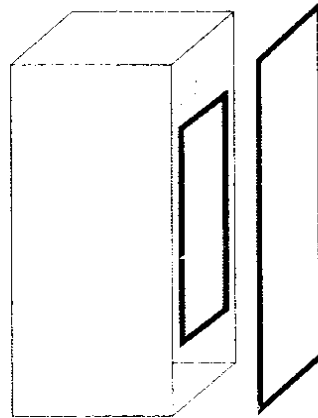
**2 - 4**



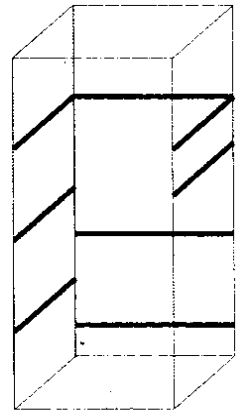
**5 - 7**



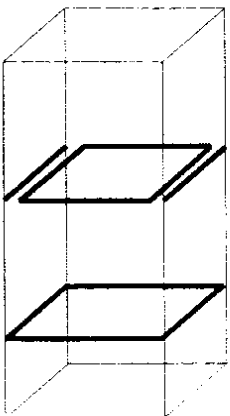
**8 - 10**



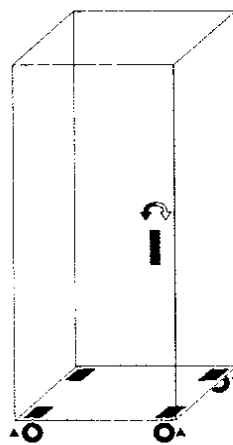
**11 - 12**



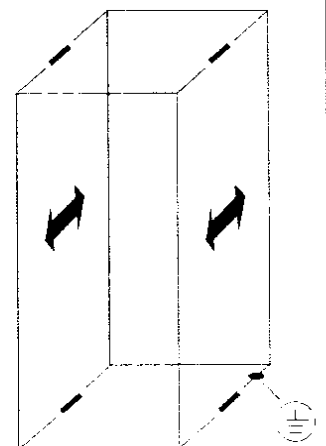
**13 - 14**



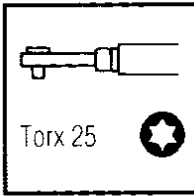
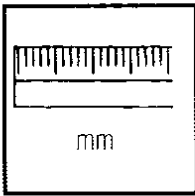
**15**



**16-17**

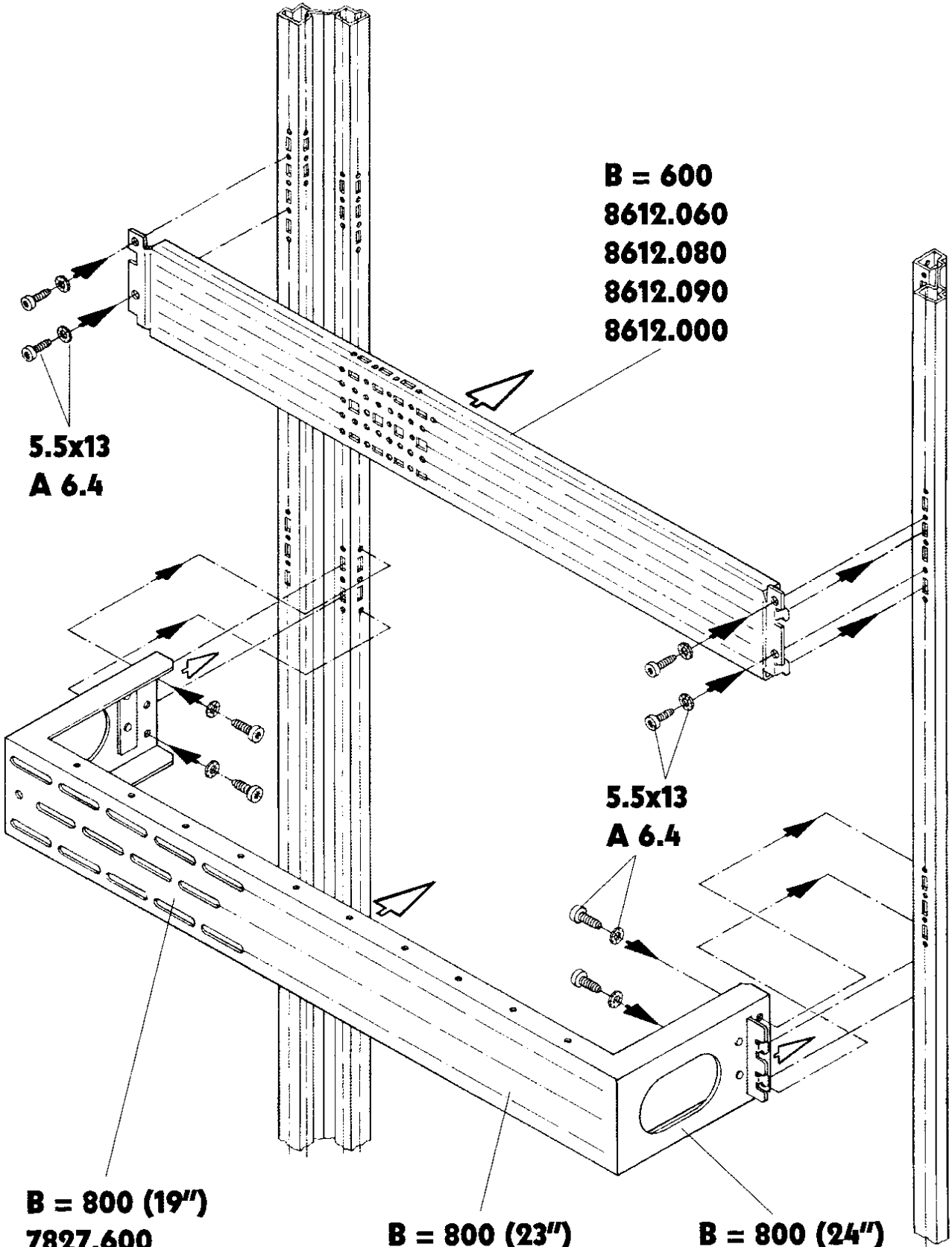


**18**



mm

Torx 25



**B = 600**  
**8612.060**  
**8612.080**  
**8612.090**  
**8612.000**

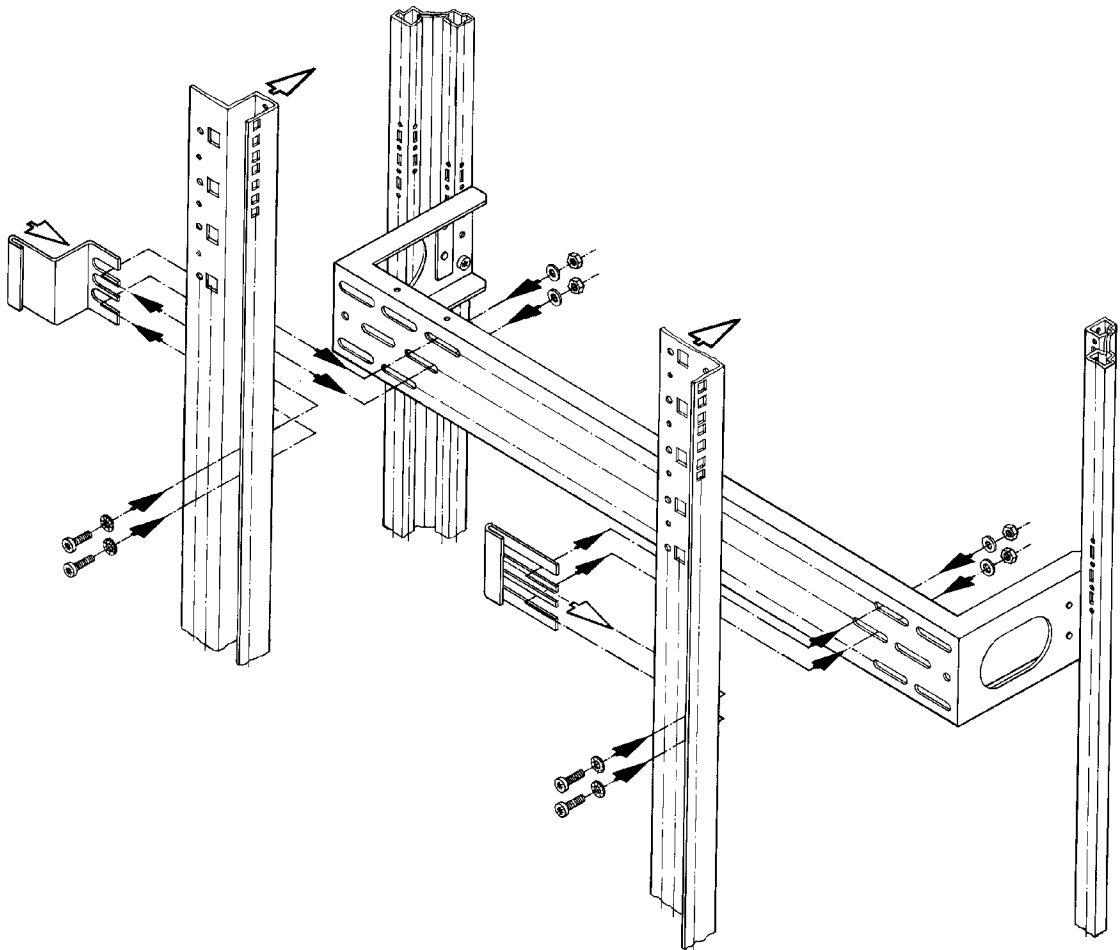
**5.5x13**  
**A 6.4**

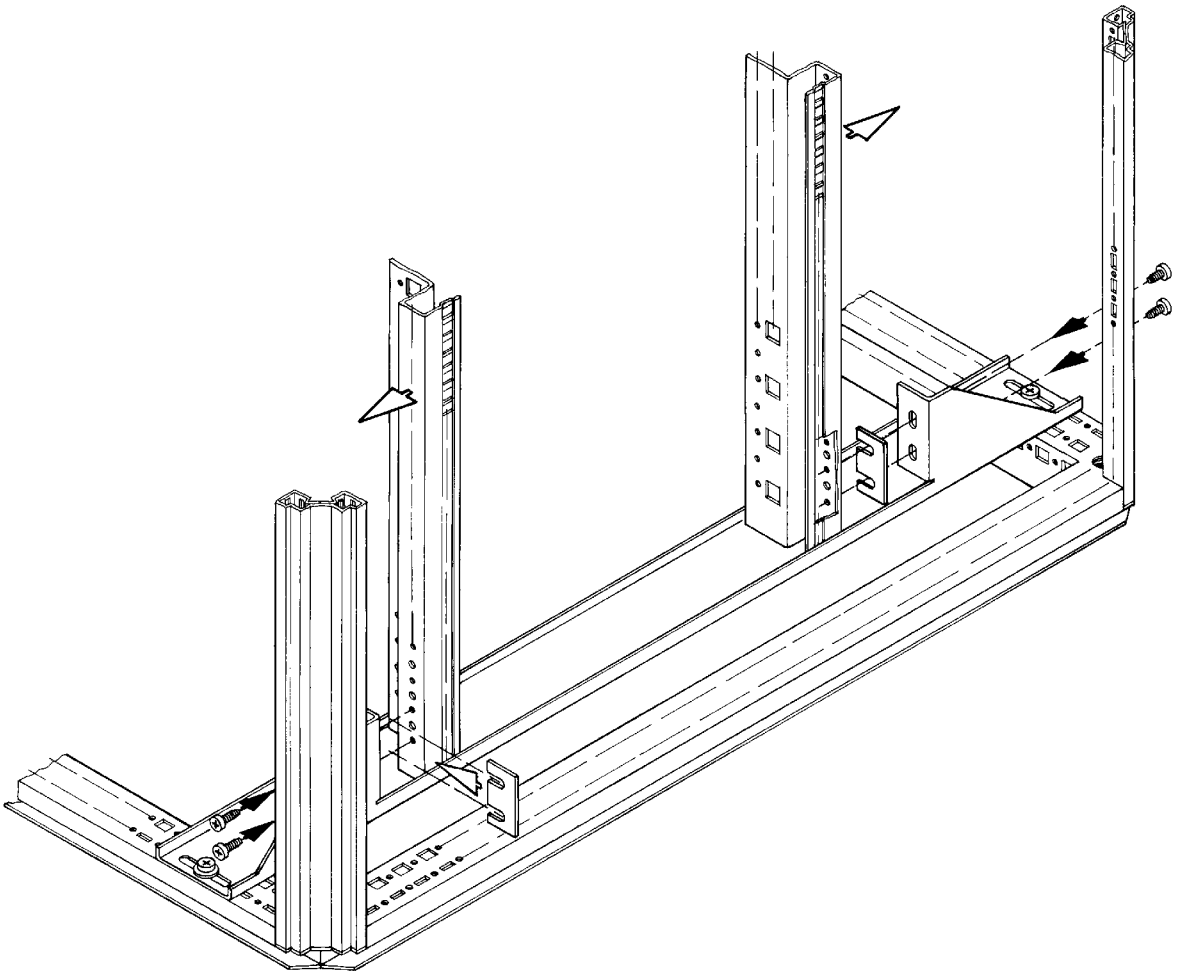
**5.5x13**  
**A 6.4**

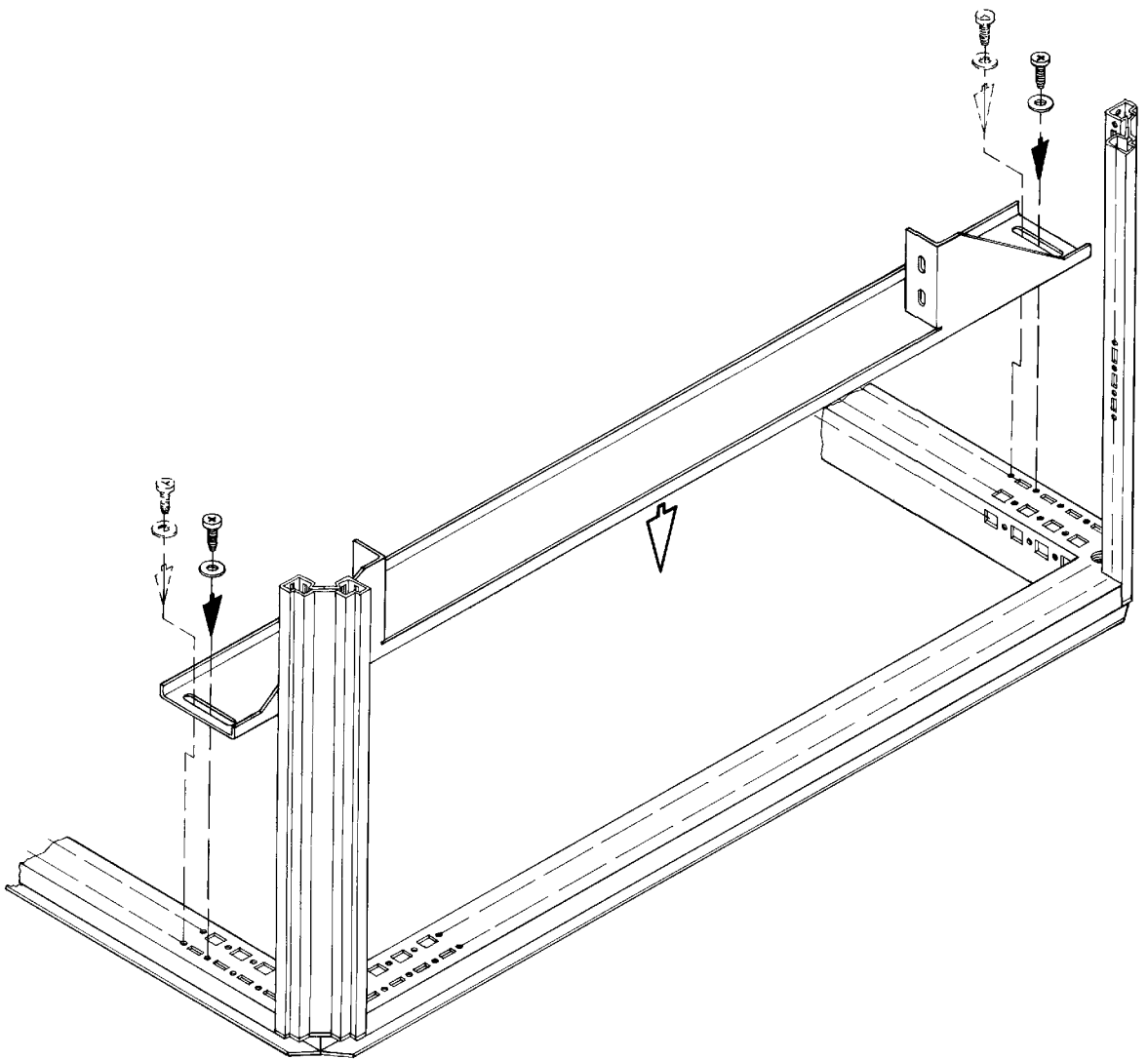
**B = 800 (19")**  
**7827.600**  
**7827.800**  
**7827.900**  
**7827.000**

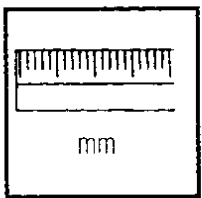
**B = 800 (23")**  
**7827.823**  
**7827.923**  
**7827.023**

**B = 800 (24")**  
**7827.824**  
**7827.924**  
**7827.024**

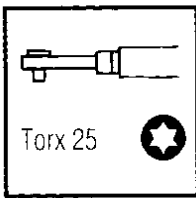








mm



Torx 25



**7827.080**

**7827.100**

**7827.120**

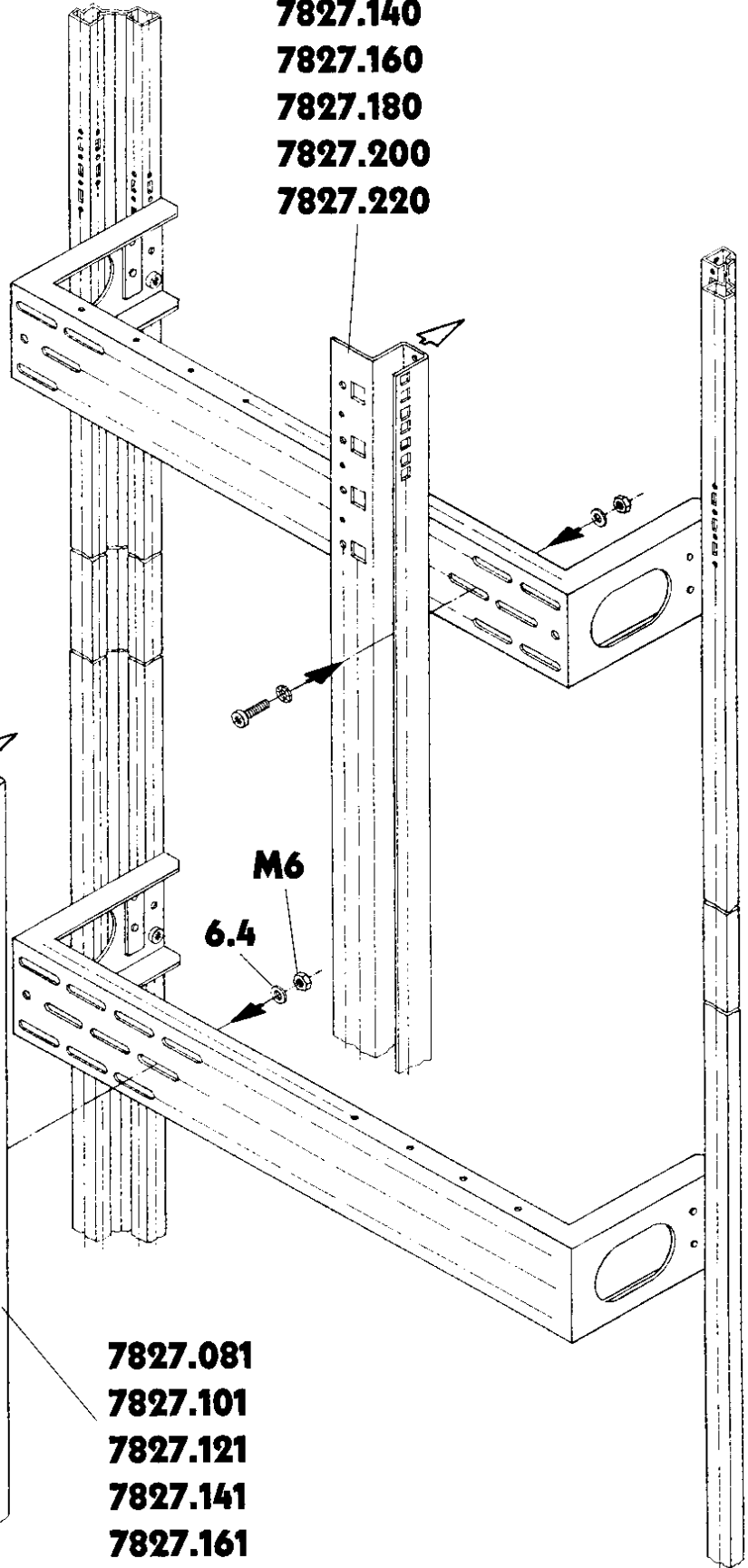
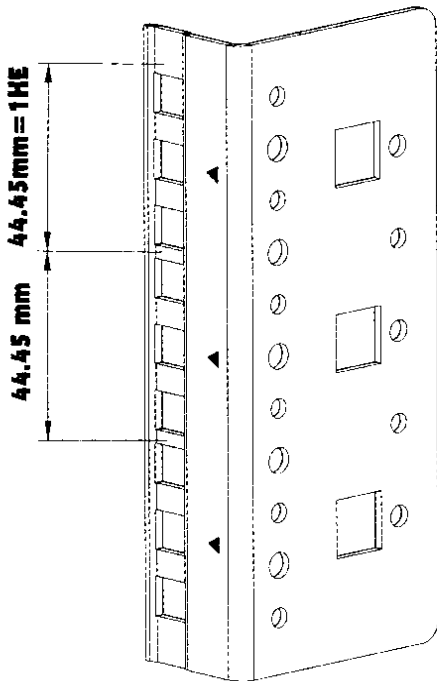
**7827.140**

**7827.160**

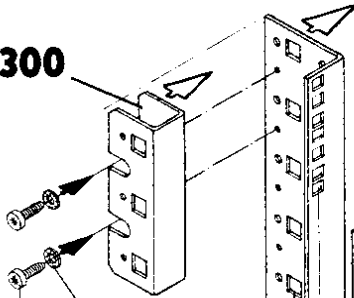
**7827.180**

**7827.200**

**7827.220**



**7827.300**



**A6.4**

**5,5x13**

**M6x16 A6.4**

**M6**

**6.4**

**7827.081**

**7827.101**

**7827.121**

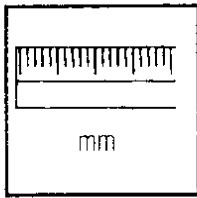
**7827.141**

**7827.161**

**7827.181**

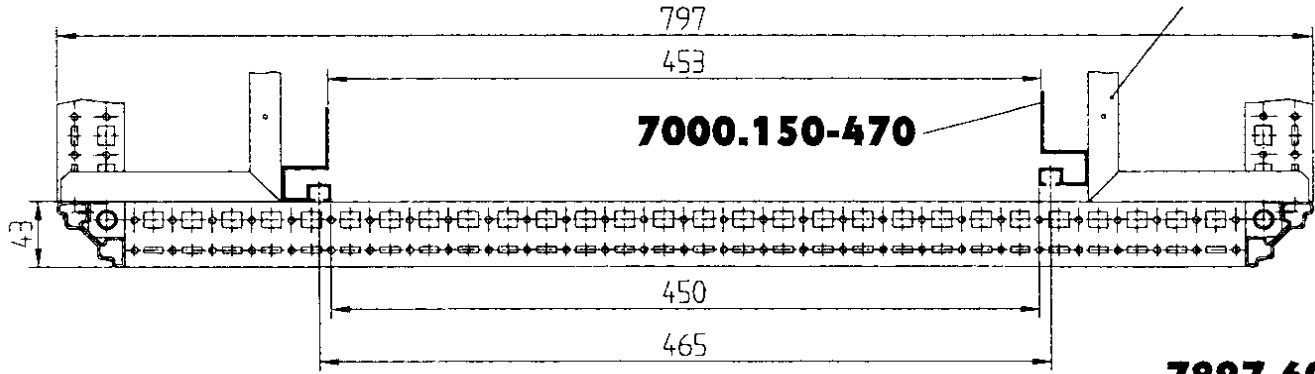
**7827.201**

**7827.221**



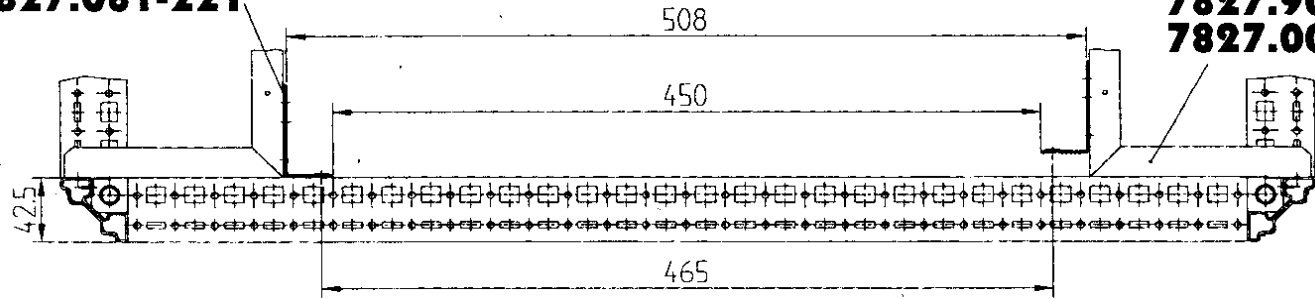
**B = 800**

**7827.600**  
**7827.800**  
**7827.900**  
**7827.000**



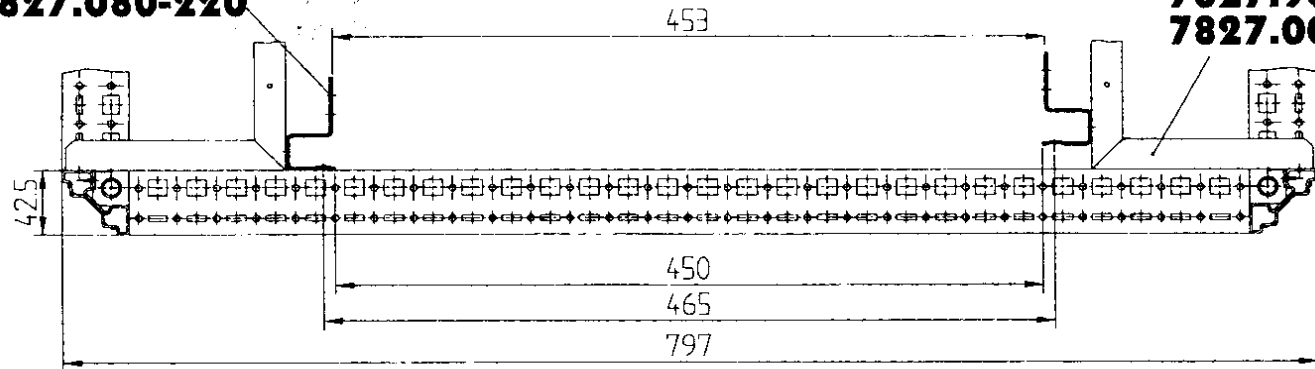
**7827.081-221**

**7827.600**  
**7827.800**  
**7827.900**  
**7827.000**

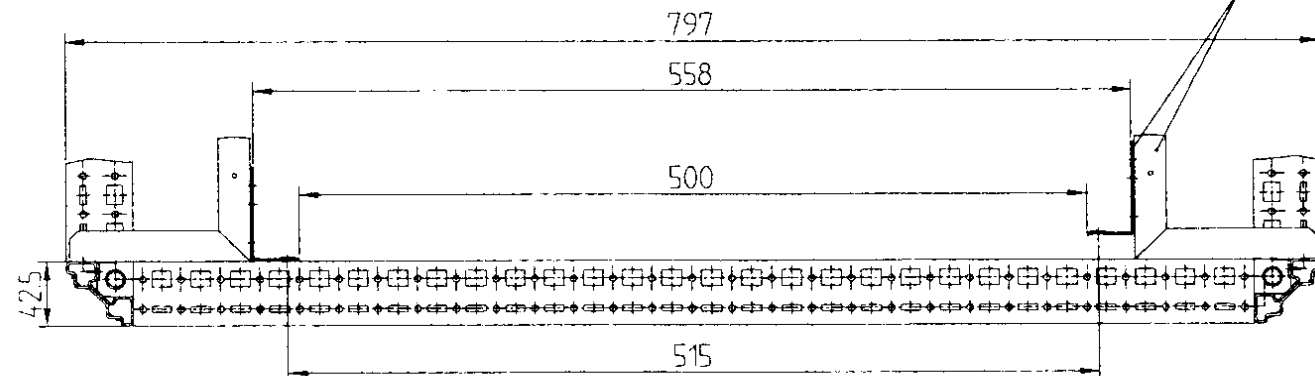


**7827.080-220**

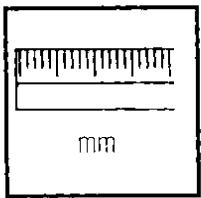
**7827.600**  
**7827.800**  
**7827.900**  
**7827.000**



**7827.200**

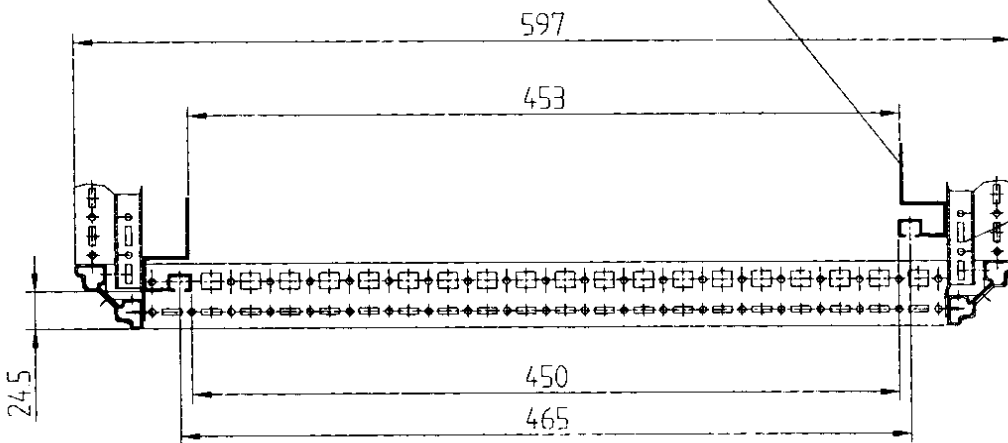






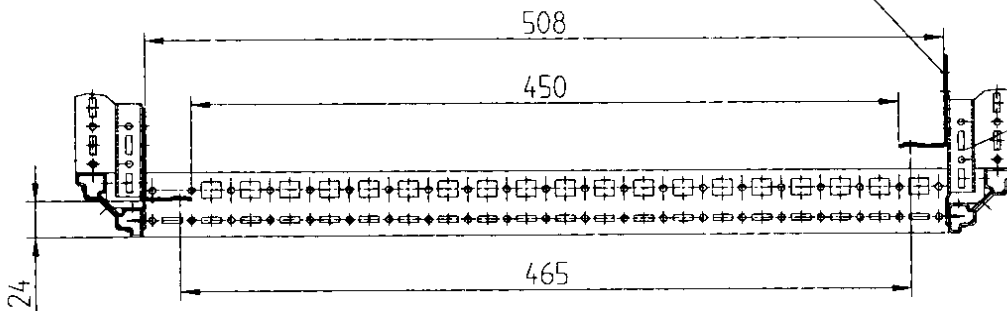
# B=600

## 7000.150-470



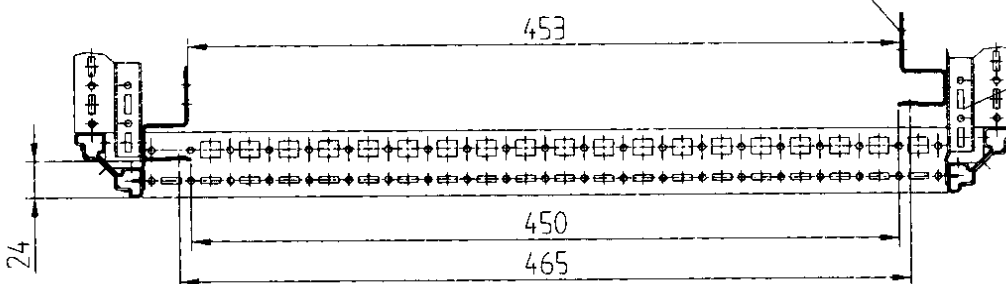
**8612.060**  
**8612.080**  
**8612.090**  
**8612.000**

## 7827.081-221

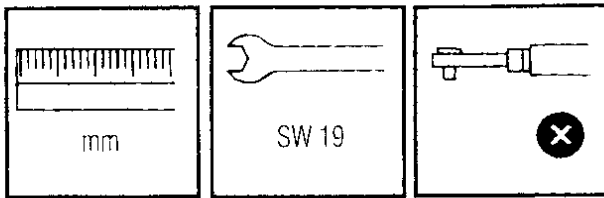


**8612.060**  
**8612.080**  
**8612.090**  
**8612.000**

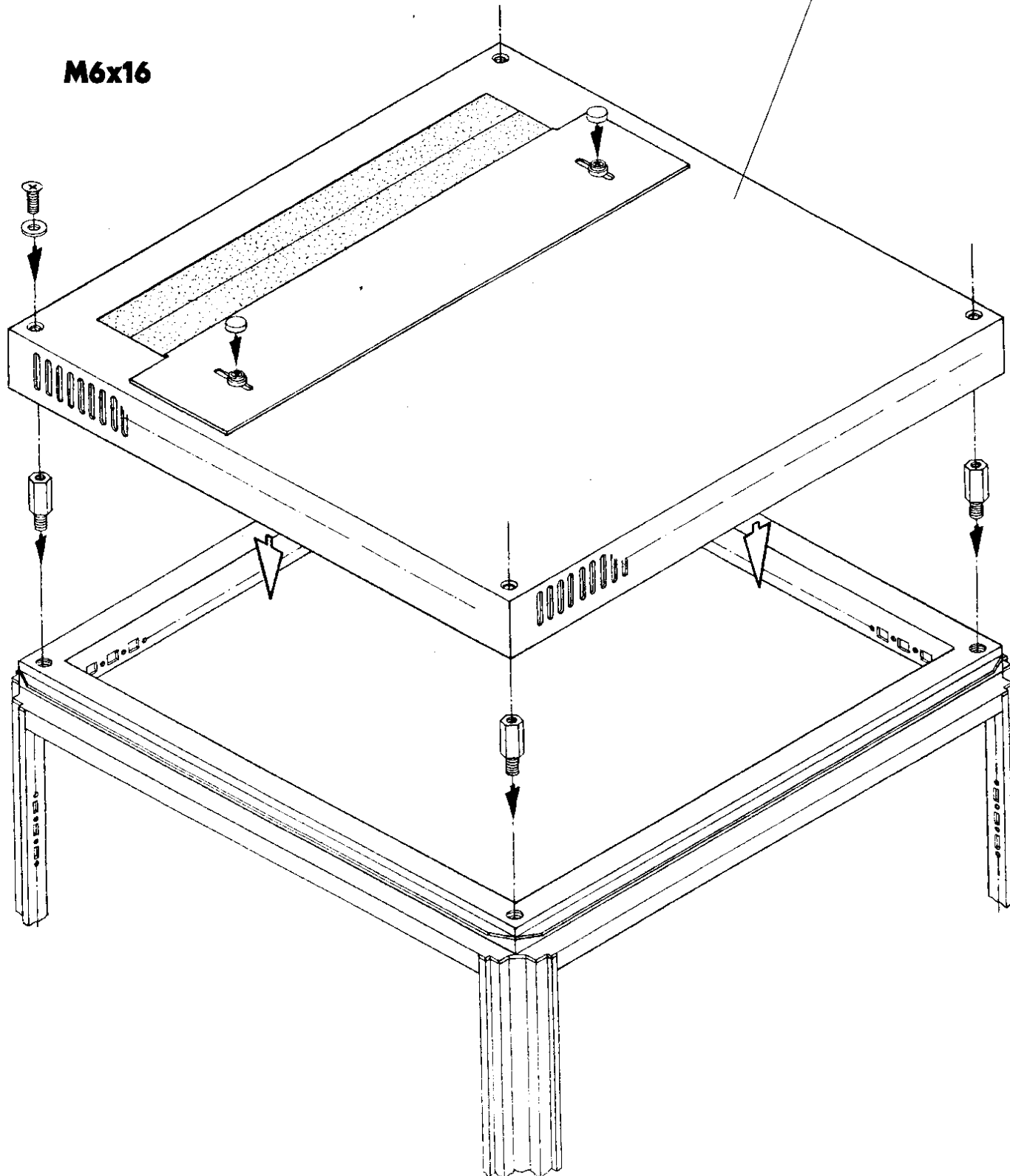
## 7827.080-220

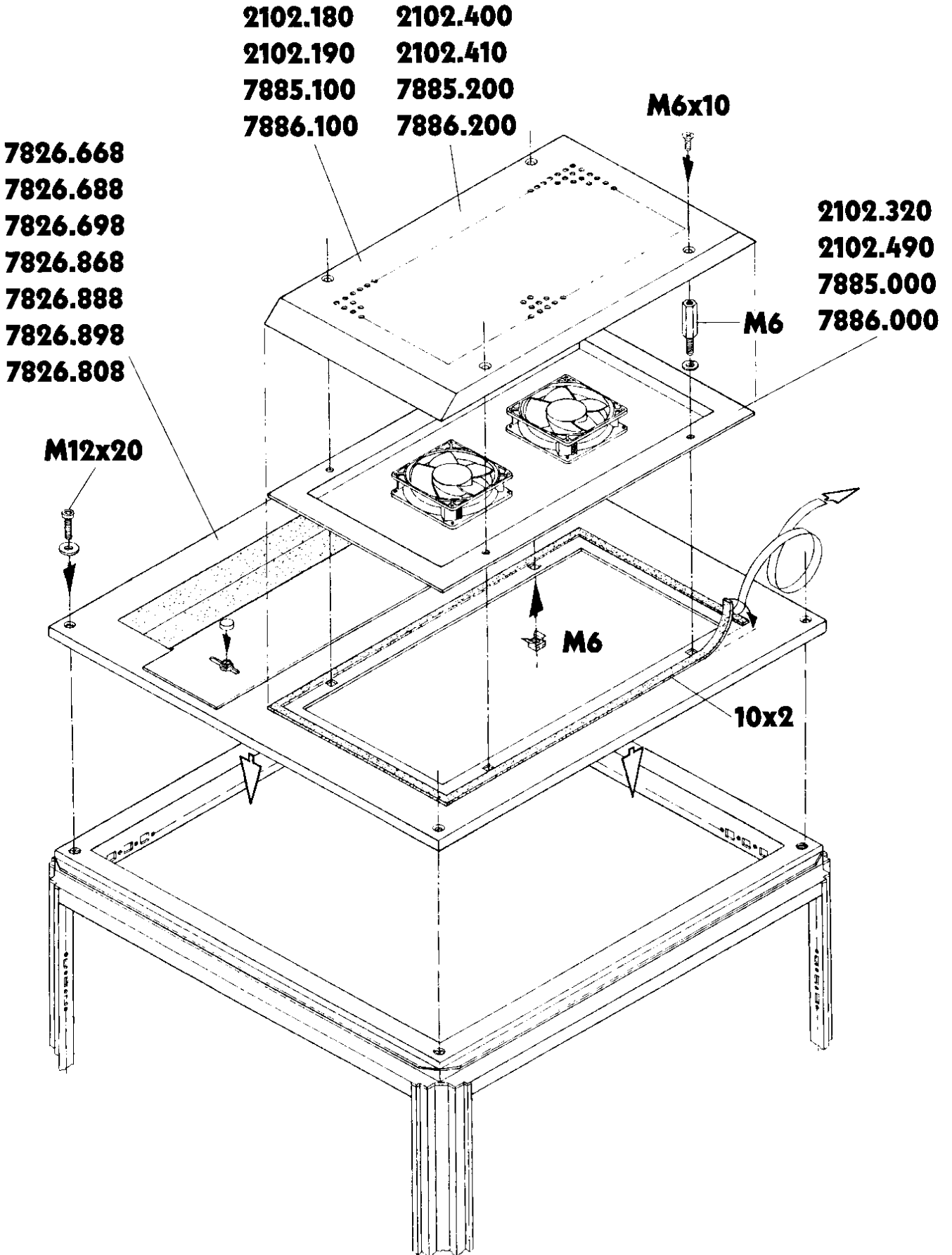
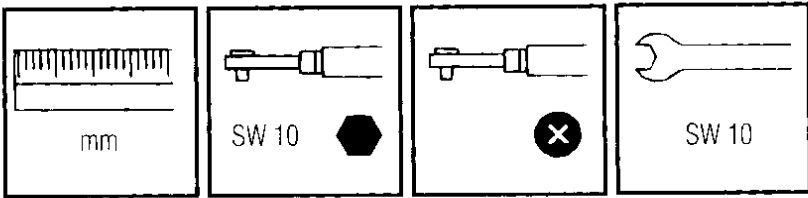


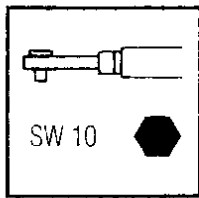
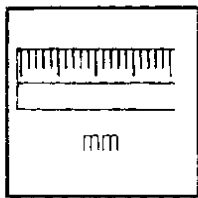
**8612.060**  
**8612.080**  
**8612.090**  
**8612.000**



- |                 |                 |
|-----------------|-----------------|
| <b>7826.866</b> | <b>7826.662</b> |
| <b>7826.886</b> | <b>7826.682</b> |
| <b>7826.892</b> | <b>7826.692</b> |
| <b>7826.806</b> | <b>7826.862</b> |
|                 | <b>7826.882</b> |
|                 | <b>7826.892</b> |
|                 | <b>7826.802</b> |

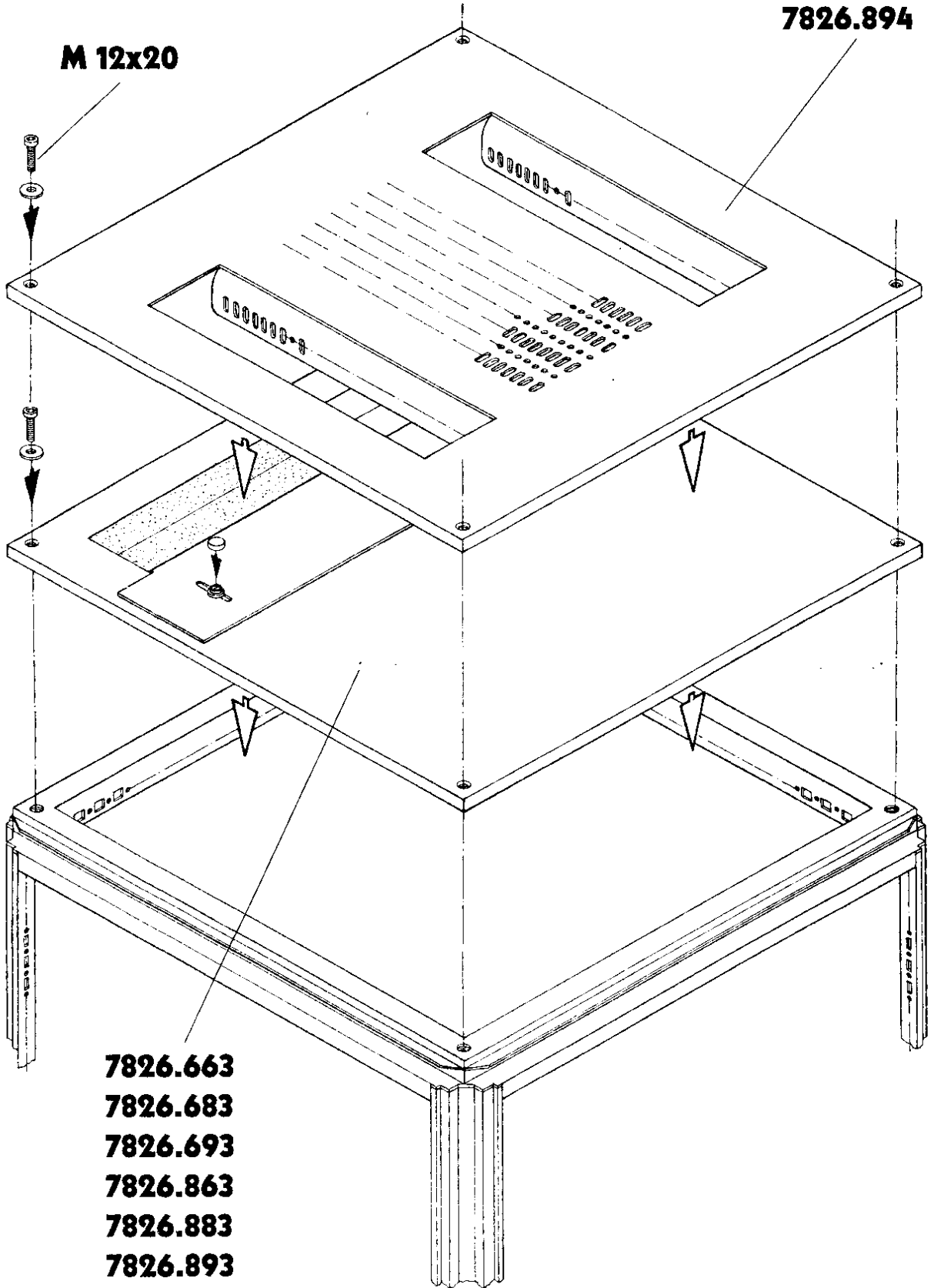




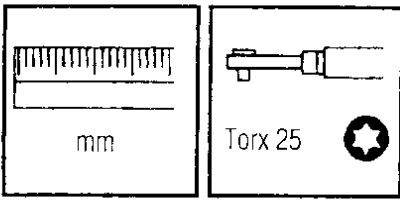


**7826.864**  
**7826.884**  
**7826.894**

**M 12x20**

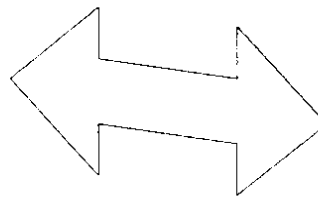
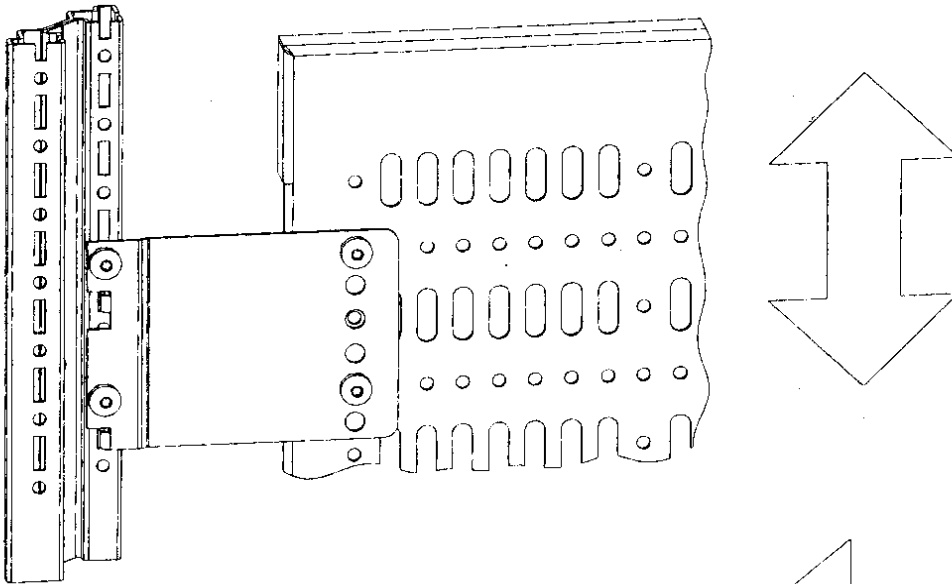
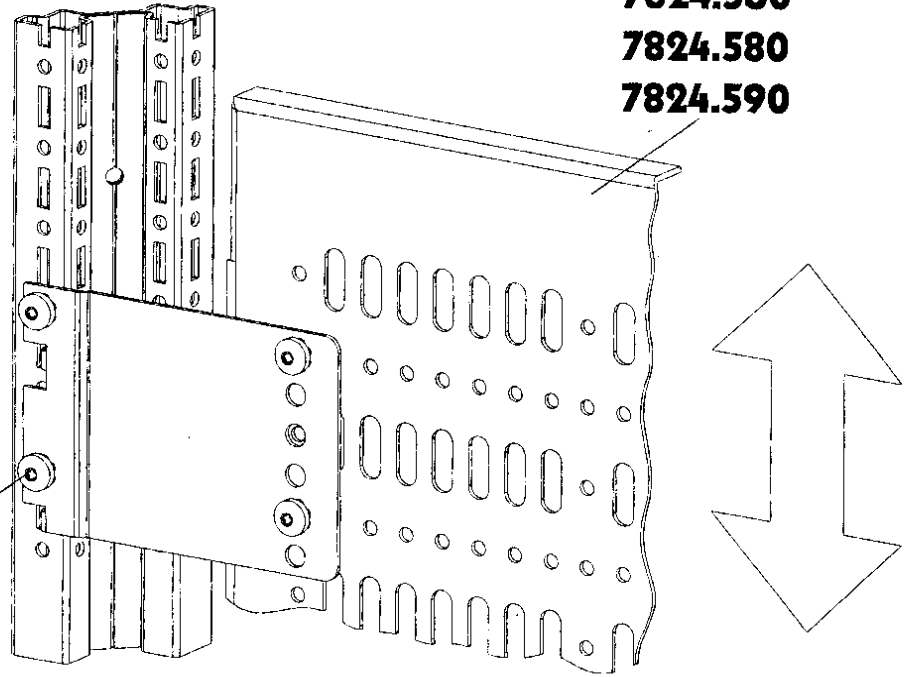


**7826.663**  
**7826.683**  
**7826.693**  
**7826.863**  
**7826.883**  
**7826.893**  
**7826.803**

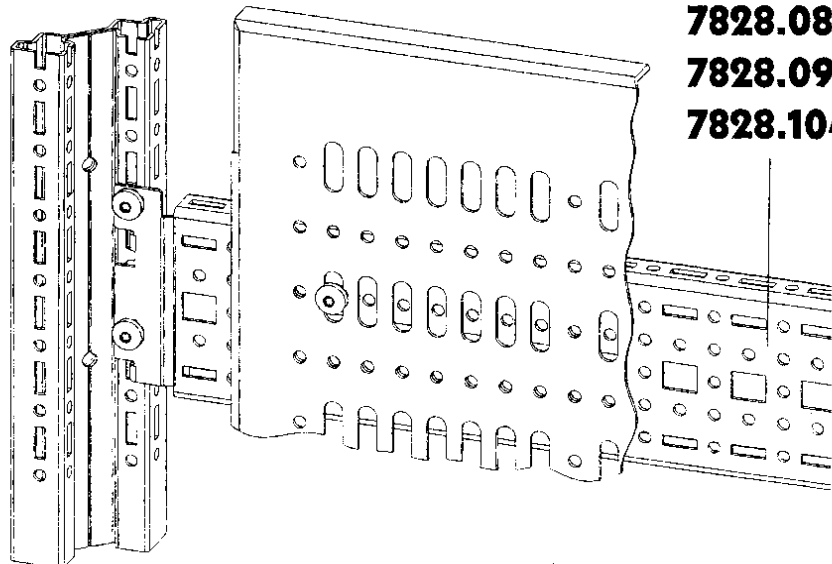


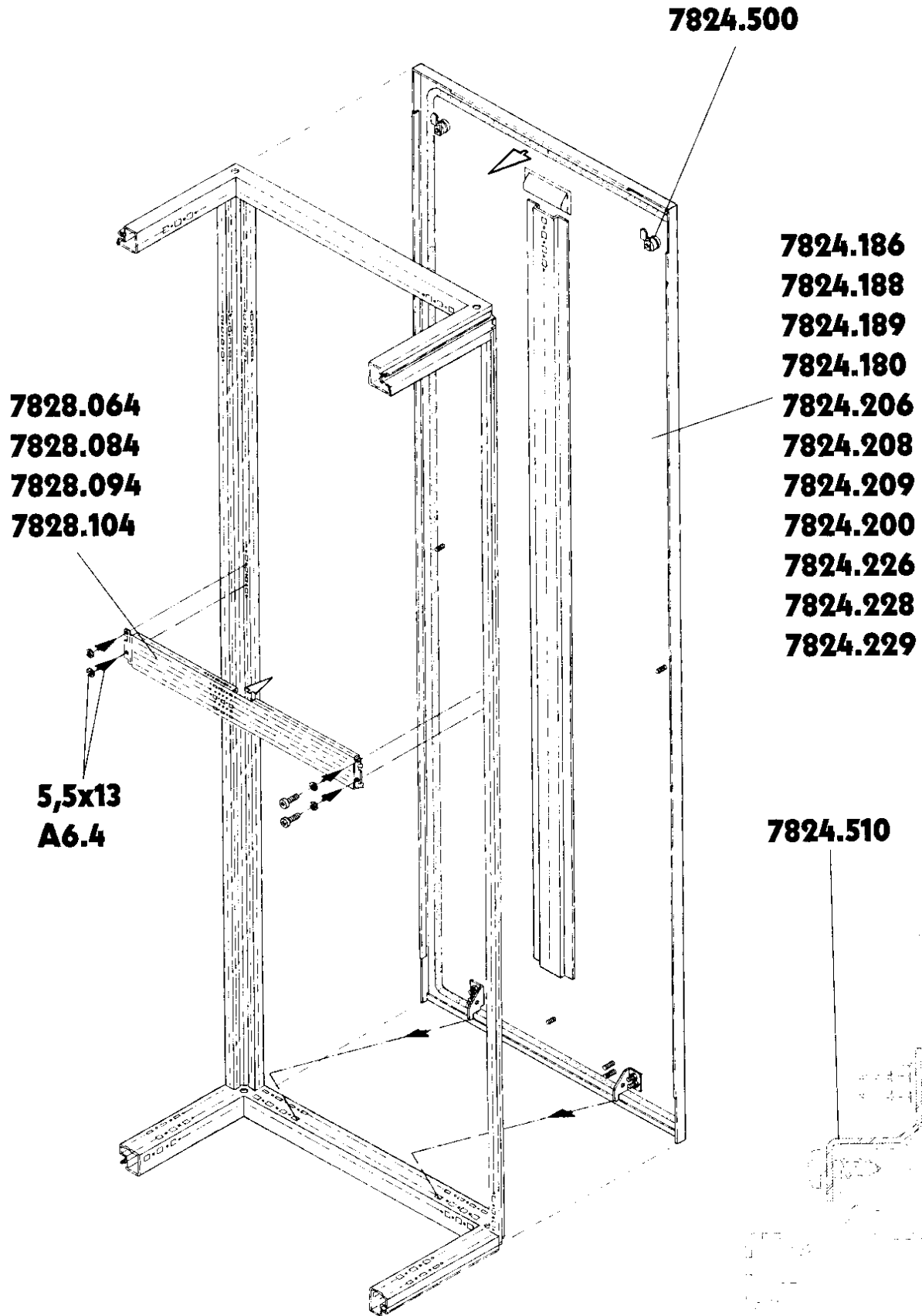
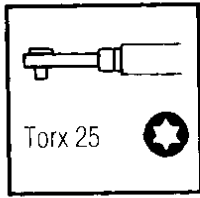
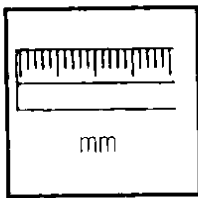
**7824.560**  
**7824.580**  
**7824.590**

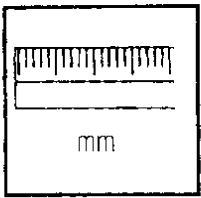
**5.5 x 13**  
**A 6.4**



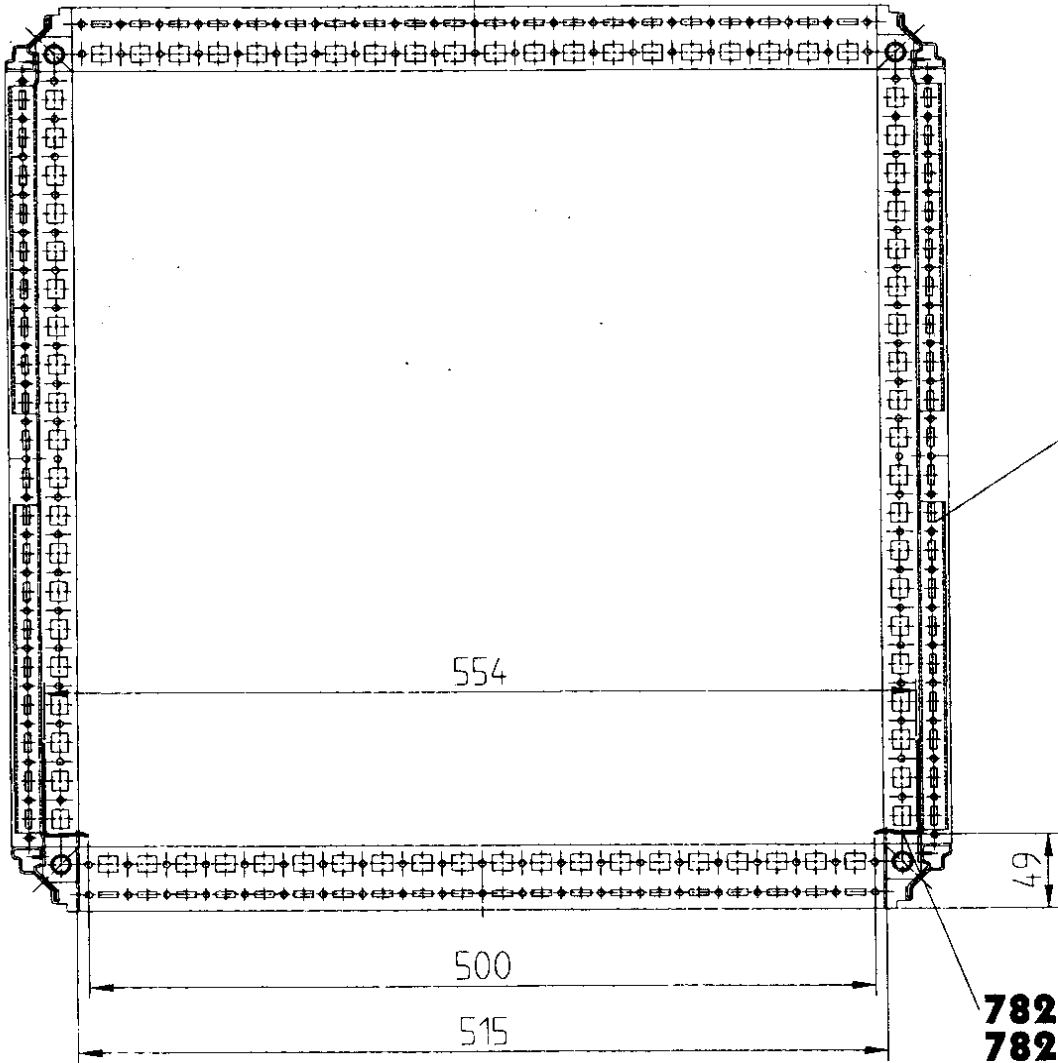
**7828.064**  
**7828.084**  
**7828.094**  
**7828.104**

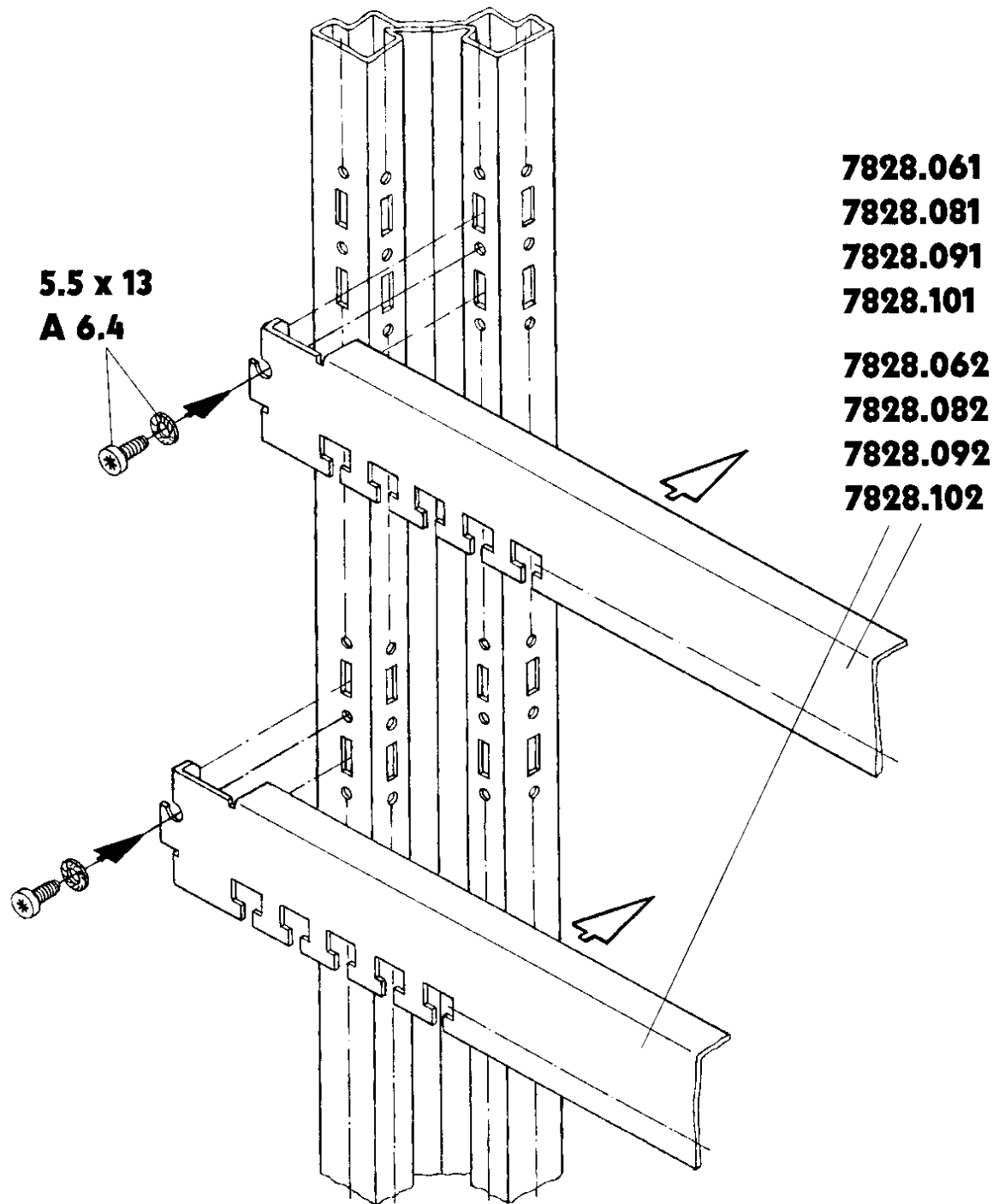
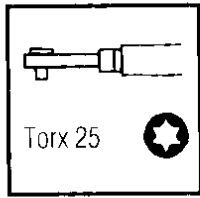
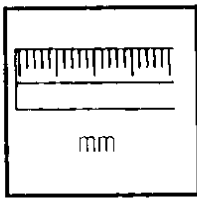




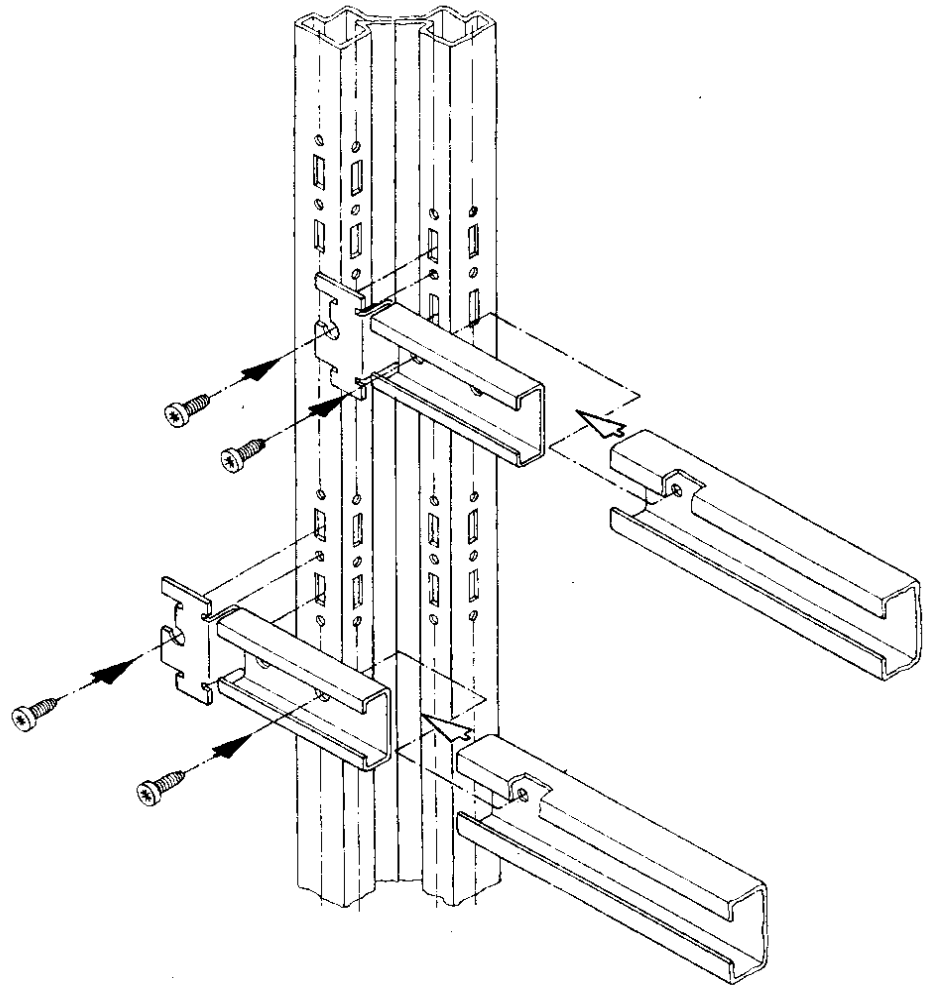
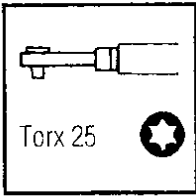


**B=600**

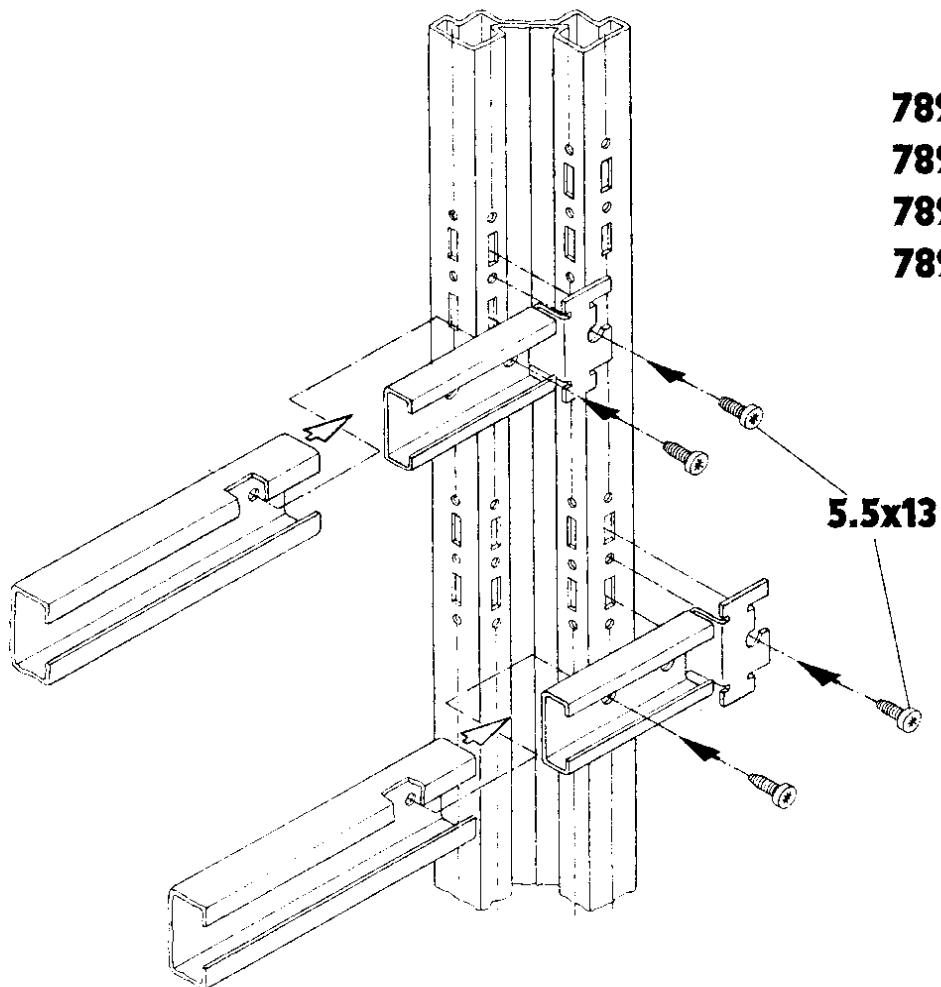


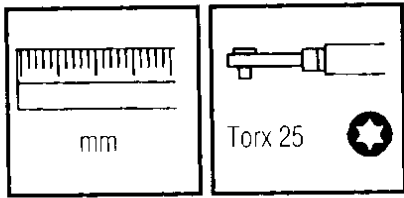




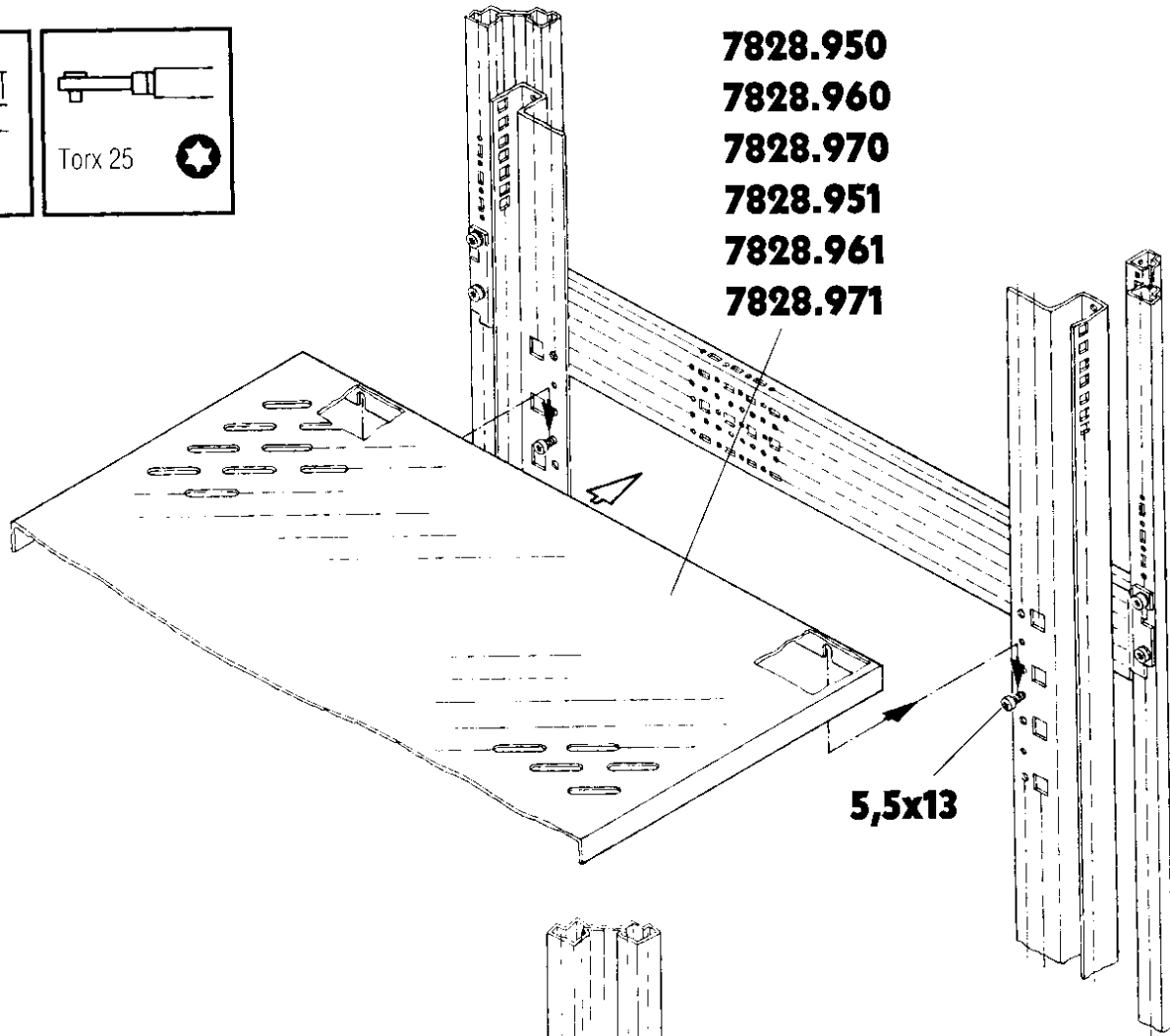


**7828.060**  
**7828.080**  
**7828.090**  
**7828.100**

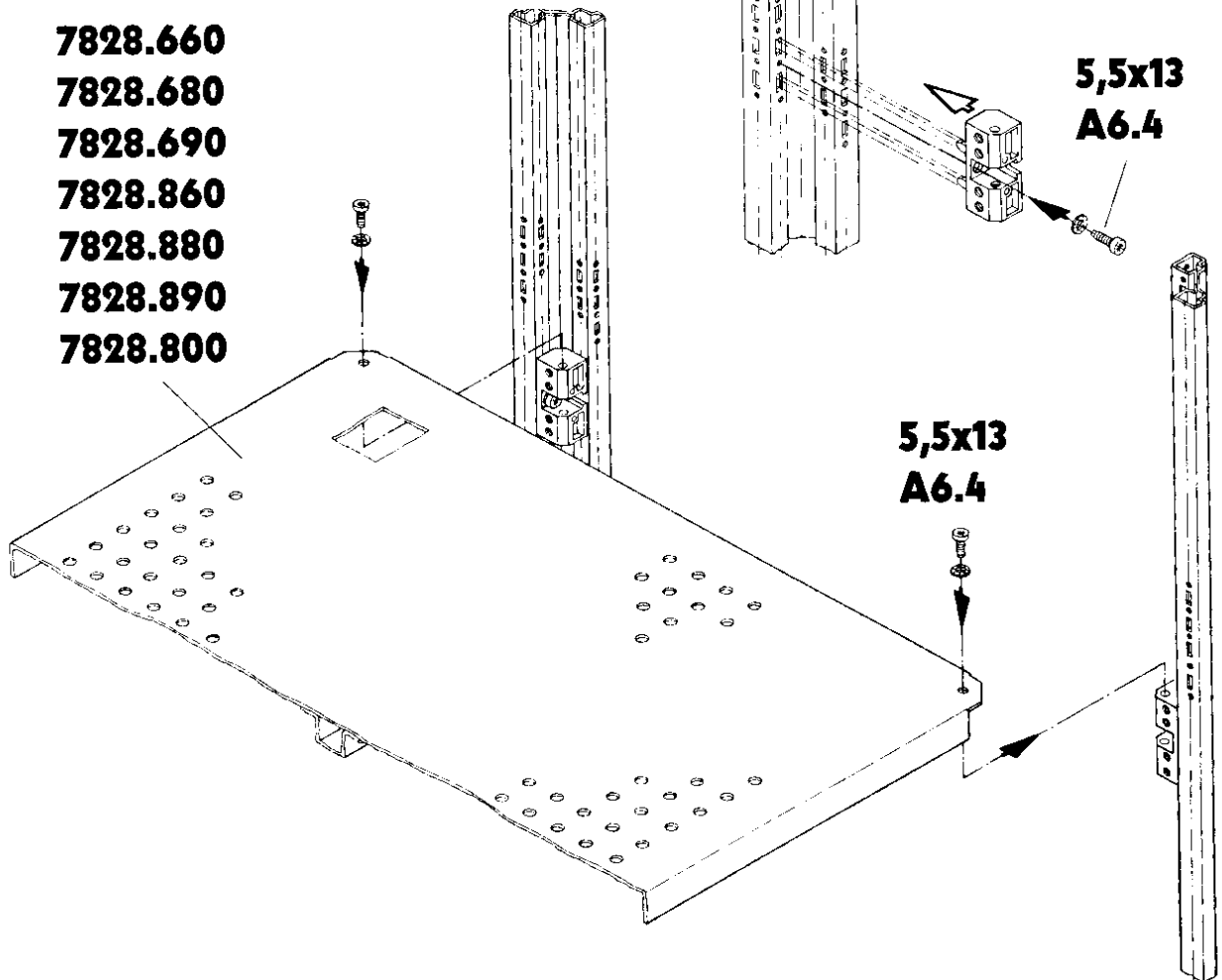
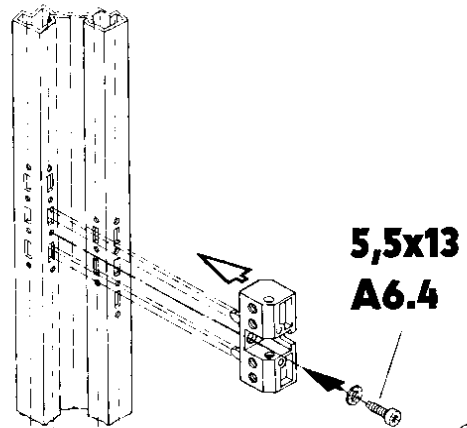


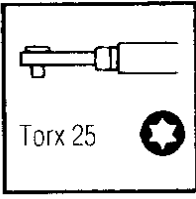


7828.950  
 7828.960  
 7828.970  
 7828.951  
 7828.961  
 7828.971

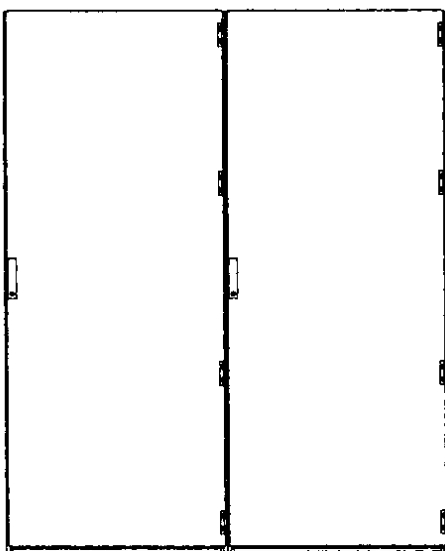
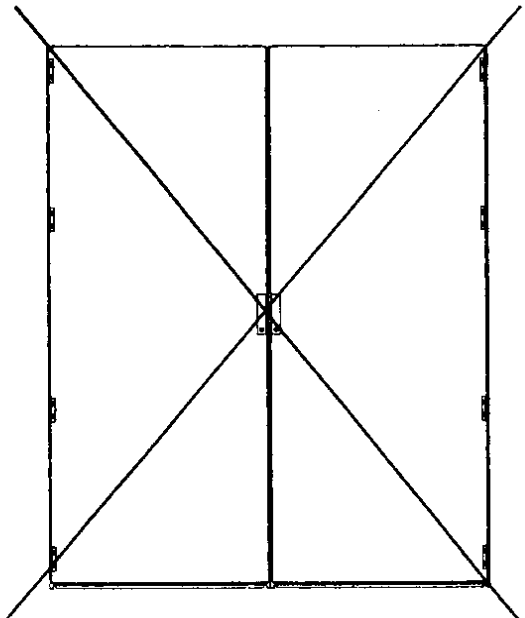
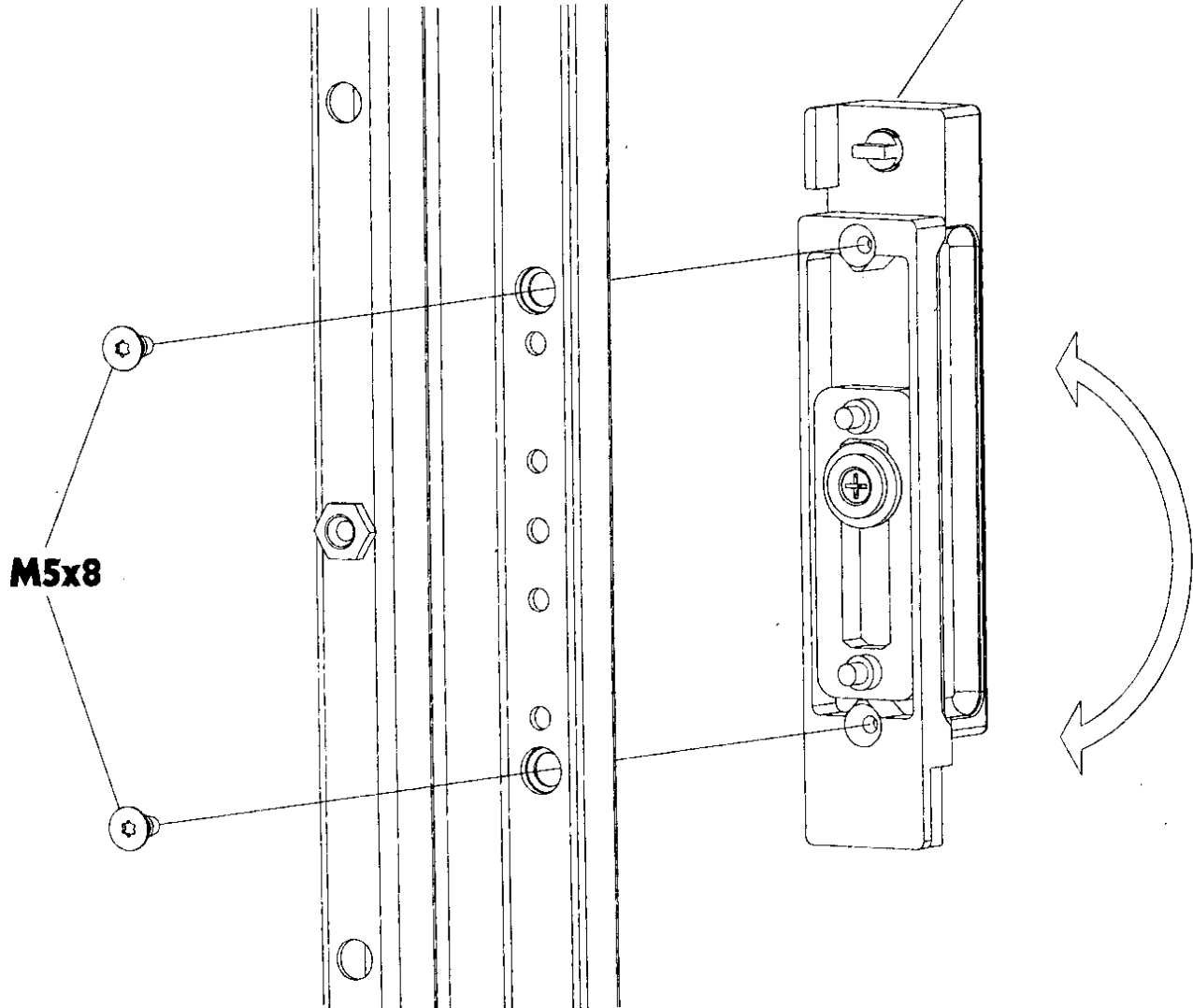


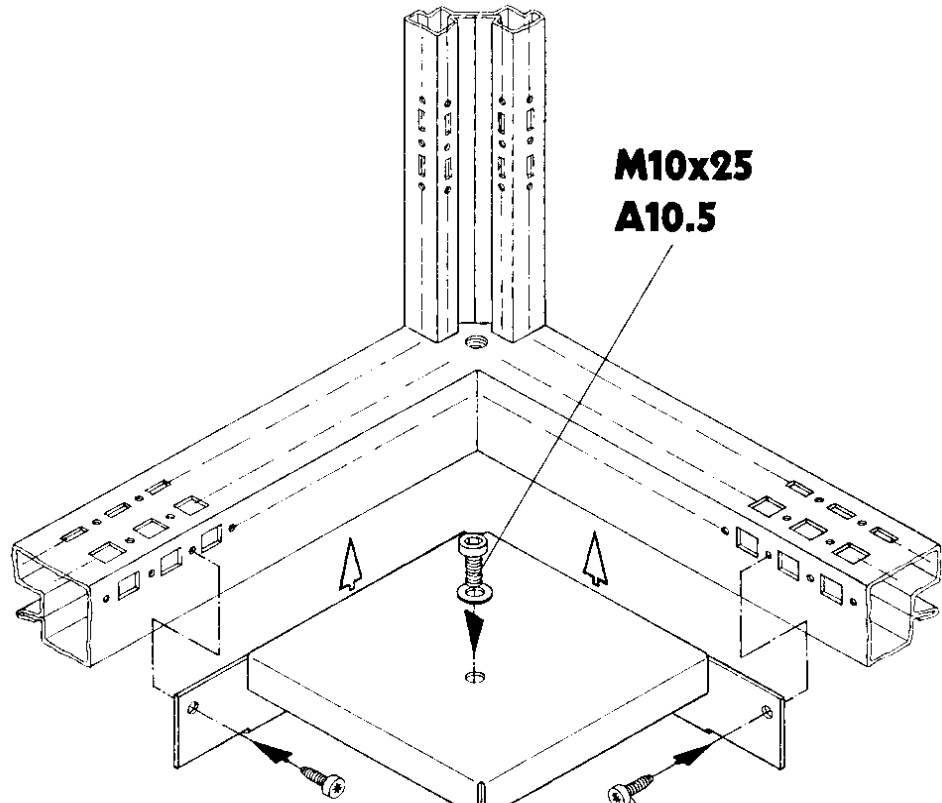
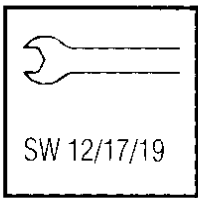
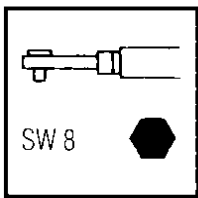
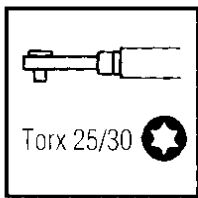
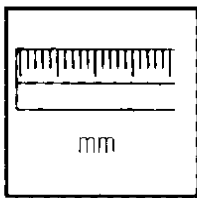
7828.660  
 7828.680  
 7828.690  
 7828.860  
 7828.880  
 7828.890  
 7828.800





**7829.300**

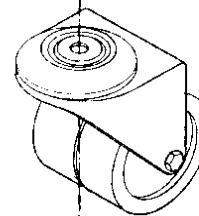




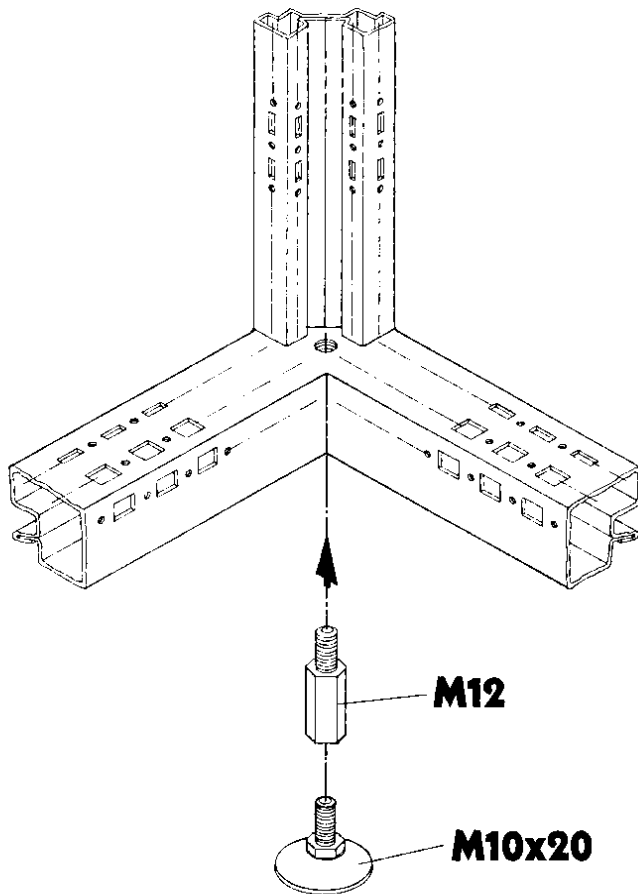
**M10x25**  
**A10.5**

**7825.900**

**5,5x13**

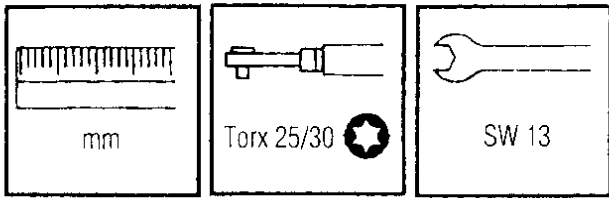


**A10.5**  
**M10**

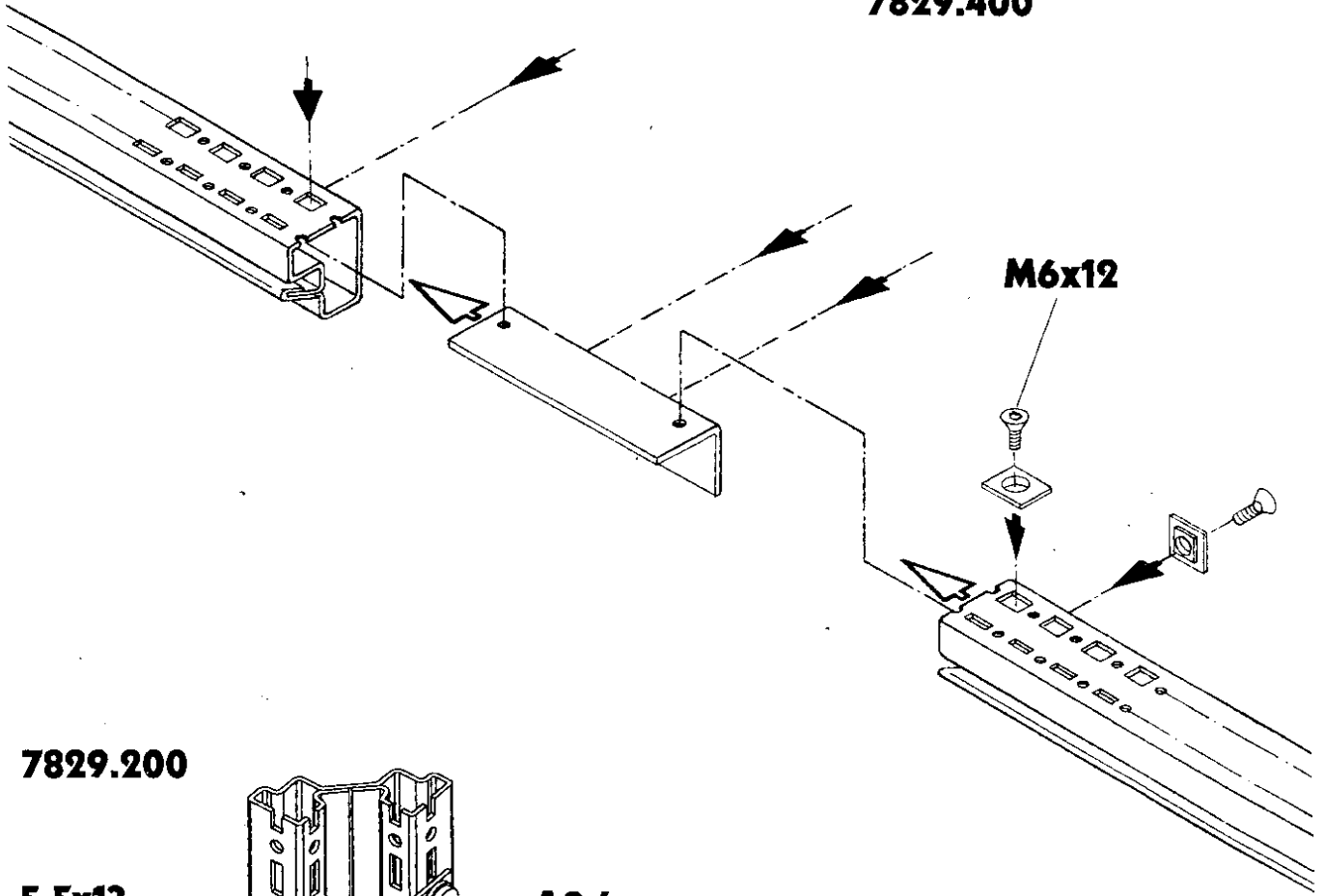


**M12**

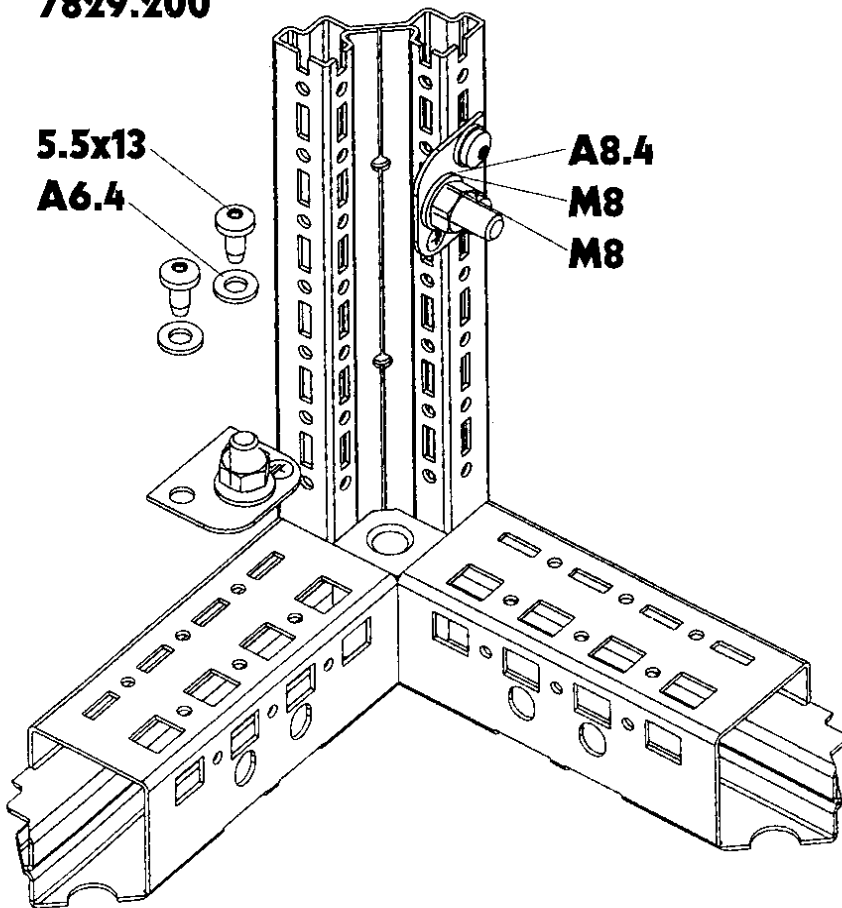
**M10x20**



**7829.400**

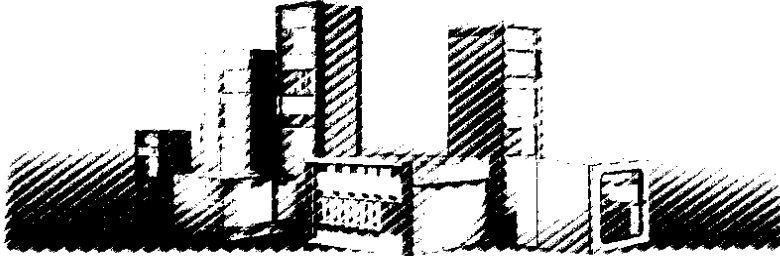


**7829.200**





Schaltschrank-Systeme  
Enclosure systems  
Systèmes d'armoires électriques  
Schackelkastsystemen  
Apparatskåpsystem  
Sistemi di armadi per quadri di comando  
Sistemas de armarios  
エングロージャーシステム



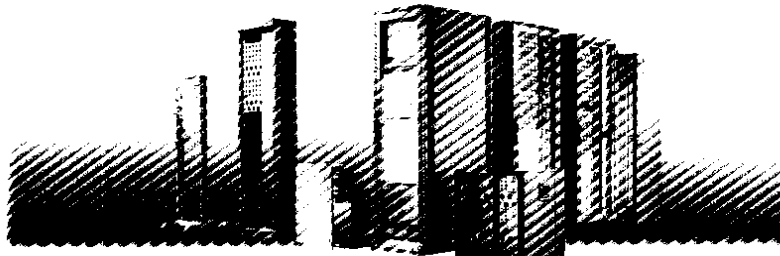
Elektronik-Aufbau-Systeme EL  
Electronic systems EL  
Systèmes de montage électroniques EL  
Elektronica-opbouwsystemen EL  
Elektroniksystem EL  
Sistemi di allestimento EL per l'elettronica industriale  
Sistemas de soporte electrónicos EL  
エレクトロニクスエングロージャーシステム EL



Schaltschrank-Klimatisierung SK  
Enclosure air-conditioning SK  
Climatisation d'armoires électriques SK  
Schackelkastklimaatbeheersing SK  
Apparatskåpsklimatisering SK  
Apparecchi SK per la climatizzazione di quadri di com.  
Climatización de armarios SK  
エングロージャーエアコンディショニング製品 SK



Stromverteilungs-Komponenten SV  
Power distribution components SV  
Composants de distribution de courant SV  
Stroomverdelingscomponenten SV  
Strömförderningskomponenter SV  
Componenti SV per la distribuzione di corrente elettrica  
Componentes de distribución de corriente SV  
バスバー・分電・配電システム SV

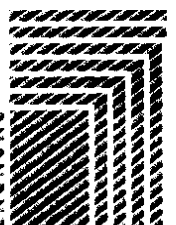


Datenübertragungs-Komponenten DK  
Data communication components DK  
Composants de distribution de données informat. DK  
Data-overdrachtscomponenten DK  
Dataöverföringskomponenter DK  
Armadi e contenitori DK per trasmissione dati e telefon.  
Componentes de la transmisión de datos  
データ通信用ラックシステム DK



Outdoor-Gehäuse CS  
Outdoor enclosures CS  
Armoires outdoor CS  
Outdoor behuizingen CS  
Utomhusskåp CS  
Armadi modulari CS per applicazioni da esterno  
Cajas para la intemperie CS  
アウトドアエングロージャーシステム CS

Rittal-Werk · Rudolf Loh GmbH & Co. KG · Postfach 1662 · D-35726 Herborn  
 Telefon (02772) 505-0 · Telefax (02772) 505-319 · eMail: Info@rittal.de · Internet: http://www.rittal.de



**Umschalten auf Perfektion** **RITTAL**