

Rittal – The System.

Faster – better – everywhere.

► Technical System Catalogue Support arm systems



ENCLOSURES

POWER DISTRIBUTION

CLIMATE CONTROL

IT INFRASTRUCTURE

SOFTWARE & SERVICES

FRIEDHELM LOH GROUP



Support arm system CP 60/120/180



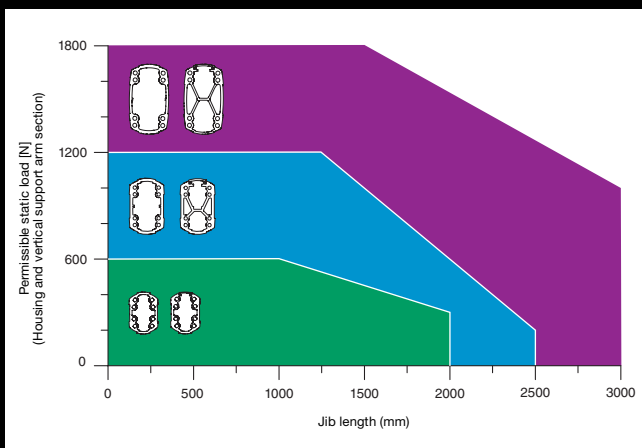
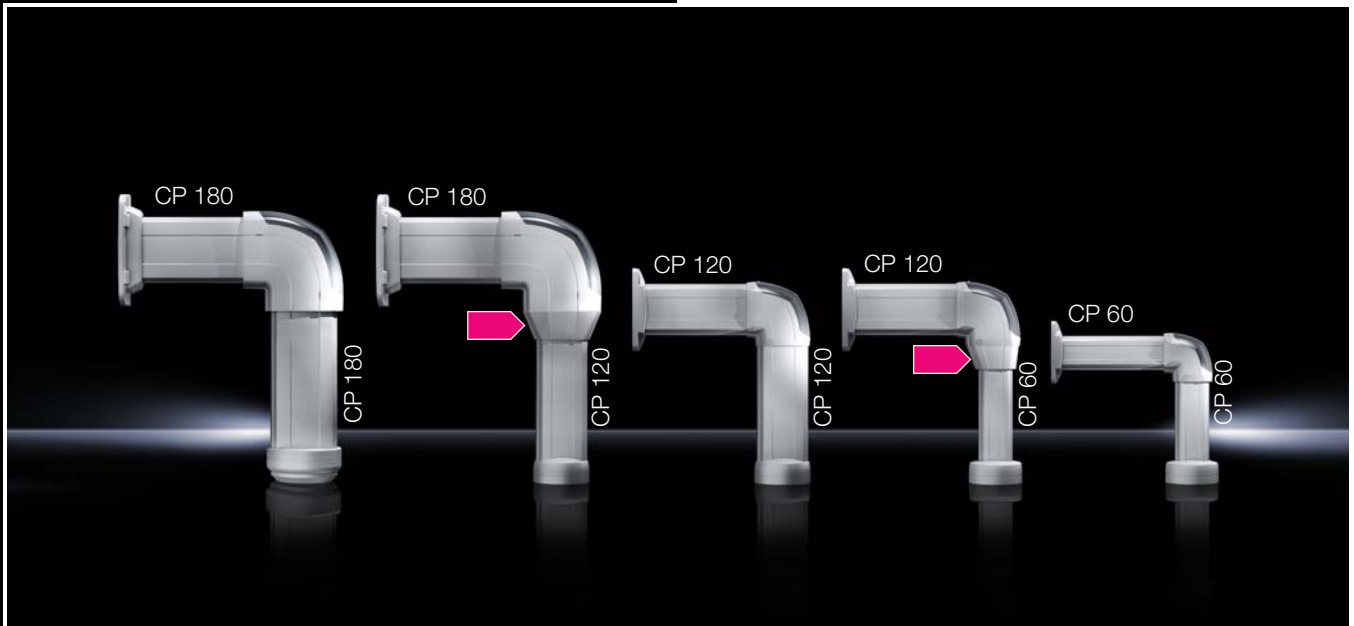
From different lines of sight to the machine to smaller or taller operators working from a seated or standing position – with the support arm systems from Rittal, the interaction between observing and controlling has never been better.



Benefits:

- One system – three combinable cross-sections
- Elegant design full of functionality
- Highly stable for all load levels up to 1800 N
- Consistent combination options
- Continuous, automatic potential equalisation
- User-friendly system change in the vertical axis to cut costs and weight
- Simple and uniform adjustment principle
- Safe cable management with integrated cable/edge protection
- Compatible components for almost any application
- Integrated, adjustable range of rotation limits
- Open support section for easy upgrade and servicing access
- Easy one-person assembly
- Support arm sections can be easily cut to the required length
- Mounting without thread-tapping due to self-tapping screws

Support arm system CP 60/120/180

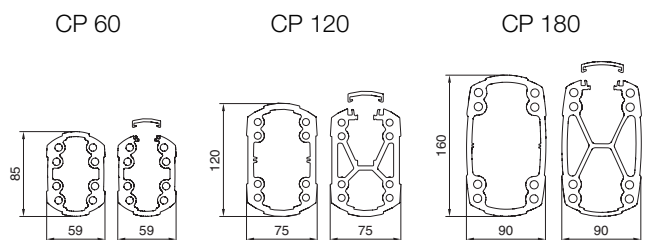


System change

In the vertical axis, a system change to the next smallest system is possible without impairing the load capacity.

One system – one engineering solution – one design

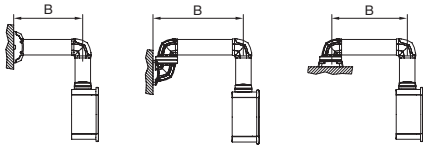
- Uniform adjustment method
- Greater safety due to efficient cable management and continuous automatic potential equalisation
- Load range up to 1800 N (180 kg)
- High level of stability



Support arm system CP 60/120/180

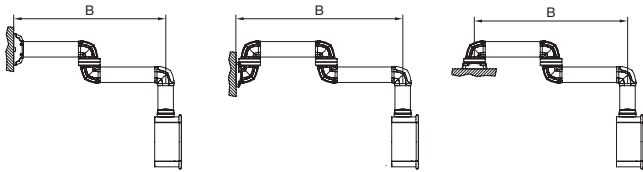
Load capacity of support arm system CP 60

1 System configuration without intermediate hinge 6206.620



B max. = 2000 mm

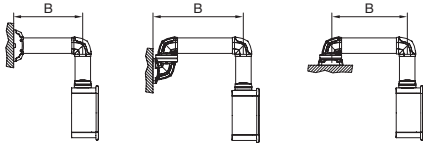
2 System configuration with intermediate hinge 6206.620



B max. = 2000 mm

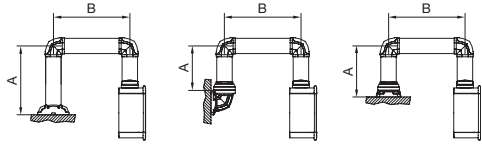
Load capacity of support arm system CP 120

A Maximum system length 2500 mm for systems with a horizontal outlet at the start of the system



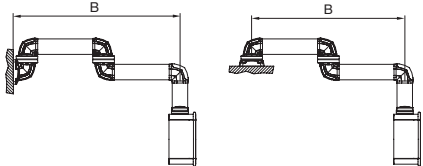
1 System configuration without intermediate hinge 6212.620

B Maximum system length 1500 mm for systems with a vertical outlet at the start of the system



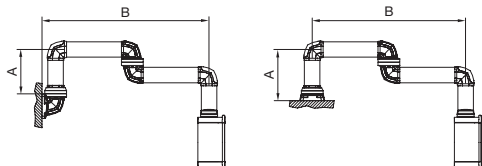
1 System configuration without intermediate hinge 6212.620

2 3 System configuration with intermediate hinge 6212.620



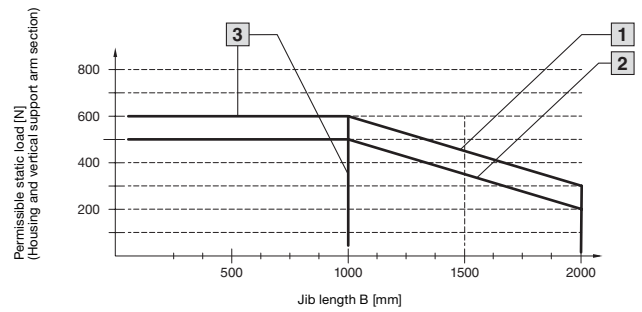
B max. = 2500 mm

2 3 System configuration with intermediate hinge 6212.620



A max. = 500 mm
B max. = 1500 mm

Permissible load depending on system configuration



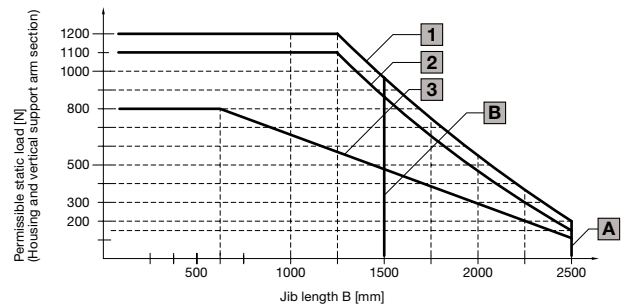
1 System configuration without intermediate hinge 6206.620

2 System configuration with intermediate hinge 6206.620

3 System configuration without intermediate hinge 6206.620, with open support section

- Wall/base mounting bracket, small 6206.820 must not be used in conjunction with intermediate hinge 6206.620!
- Intermediate hinge 6206.620 should only be used once per system!

Permissible load depending on system configuration



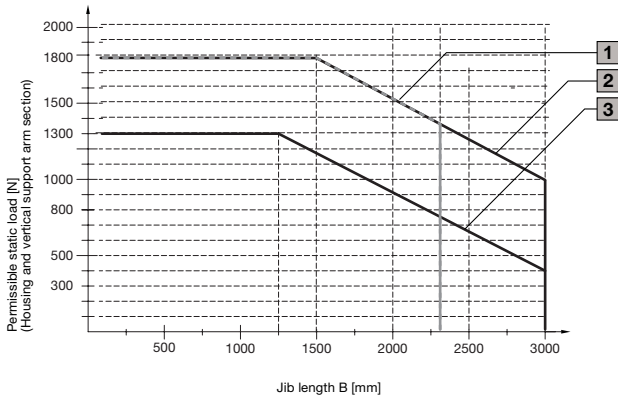
1 System configuration without intermediate hinge 6212.620, with solid or open support section

2 System configuration with intermediate hinge 6212.620, with solid support section

3 System configuration with intermediate hinge 6212.620, with open support section

Support arm system CP 60/120/180

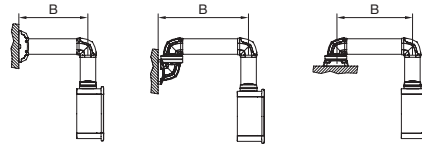
Permissible load depending on system configuration



- 1 System configuration without intermediate hinge 6218.620, with solid or open support section
- 2 System configuration with intermediate hinge 6218.620, with solid support section
- 3 System configuration with intermediate hinge 6218.620, with open support section

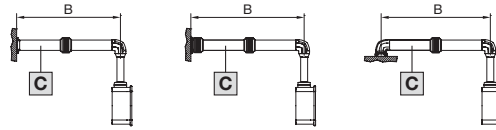
Load capacity of support arm system CP 180

1 System configuration without intermediate hinge 6218.620



B max. = 2300 mm

2 3 System configuration with intermediate hinge 6218.620



B max. = 3000 mm

Intermediate hinge CP 6218.620 should only be used once per system!

C Rittal recommends that a solid support section should be used wherever possible.

Support arm system CP 60/120/180 application examples

Side mounting with CP 60



Mounting from above with CP 120/60



Support arm system CP 60/120/180 application examples

Side mounting with CP 180



Mounting from above with CP 180/120



Support arm system CP 60/120/180

Quality management

Rittal products meet the highest internationally recognised quality standards.

- All components are subjected to the most stringent testing in accordance with international standards and regulations
- The consistently high product quality is ensured by a comprehensive quality management system
- Regular production inspections by external test institutes guarantee compliance with global standards



CAD data

Using the RiCAD 3D online CAD component library, Rittal offers engineering, climate control, IT and power solutions for the widest range of enclosures and applications from a single source.

With professional data for every CAD system, the efficiency of your system design is increased and assembly times are reduced.

- CAD data is also available as an app for reference on the move or from the Rittal website
- Data can be requested via e-mail
- Choose from over 70 CAD formats
- Direct link to the relevant page in the latest Rittal Catalogue for an "all-in-one" solution
- Optimum planning confidence through accurate and validated drawings
- By dispensing with the need for lengthy remodelling, time-savings are achieved



Support arm system CP 60/120/180



Potential equalisation

- Automatic and continuous potential equalisation of every support arm component protects the operator if a cable should break
- The rotating elements of the CP system are fitted with sliding contacts to ensure a reliable electrical contact along the entire system
- Continuous cable protection through rounded edges and special cable protection elements prevent cables from being kinked or chafed



Support arm system CP 60/120/180

Edge protection

- Continuous cable protection elements protect cables from damage when under constant load
- Snap-on cable protection elements for open support arm sections to round off the profile contours
- Cable protection elements in the rotating components are fitted with mounting screws and prevent cables from being kinked or chafed



Support arm system CP 60/120/180



Efficient cable management

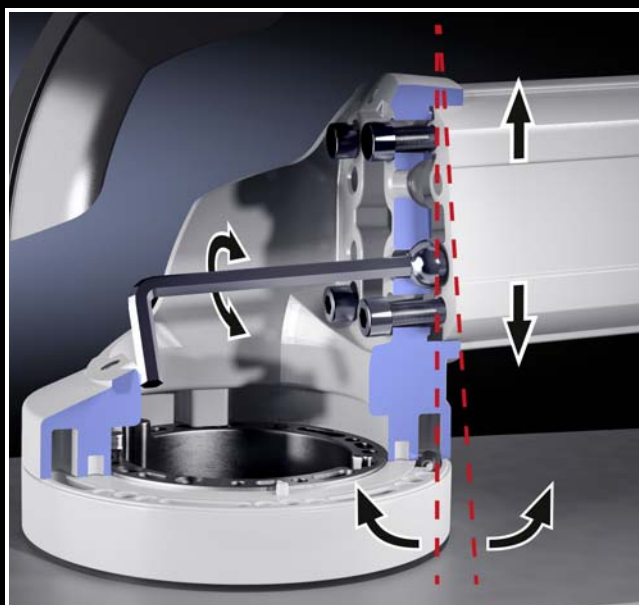
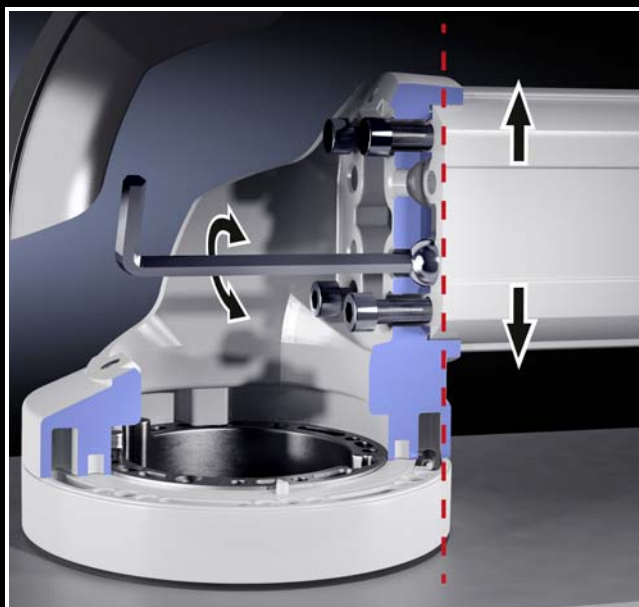
- Open support section for easy upgrade and servicing access
- Simple and continuous cable entry and feed-through options
- Strain-relief option
- Cross-section sufficient for large connectors
- Prepared for the separation of data and power cables
- Removable plastic cover for user-friendly cable feed-through



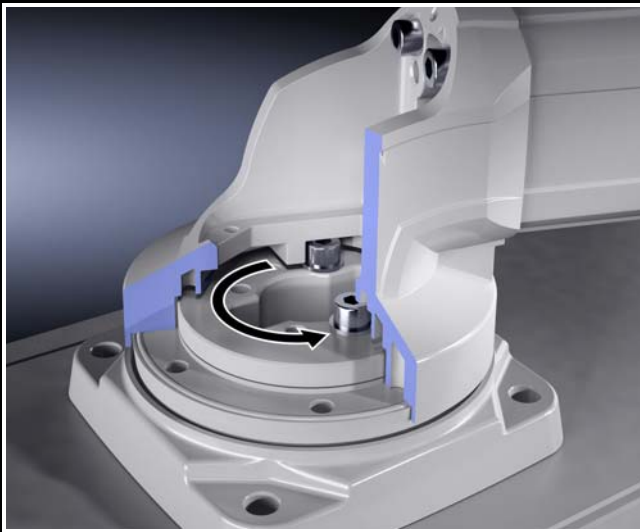
Support arm system CP 60/120/180

Adjustment

- Easily adjusted in three steps without dismantling the system
- 1. Apply the adjusting screw to the support arm section
- 2. Assemble the individual components using the mounting screws (one-person assembly possible via machined keyholes)
- 3. Adjust the support arm section using the adjusting screw fitted in step 1
- Plastic cover prepared for signal pillar adaptor
- Adjustment on wall possible

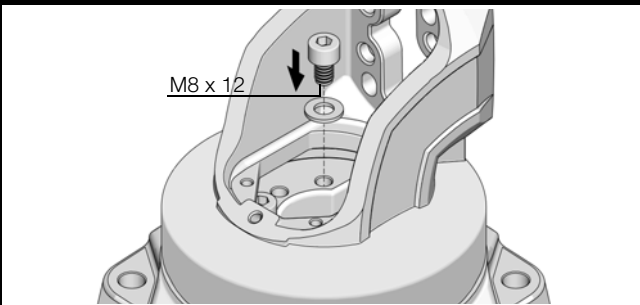


Support arm system CP 60/120/180



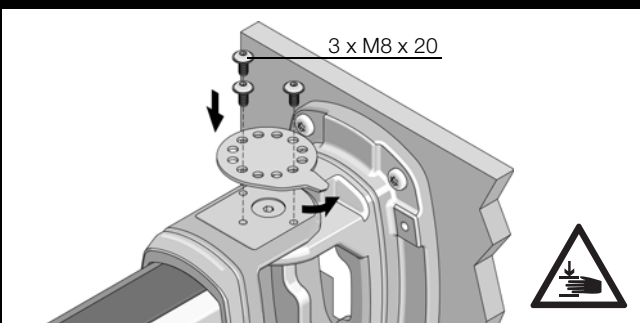
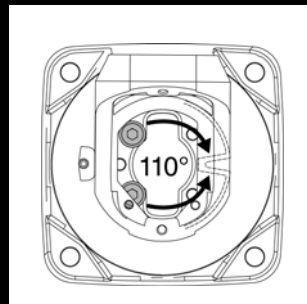
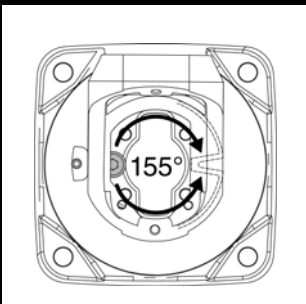
Rotation range restrictor

- Perfect limitation of the range of rotation, even retrospectively on installed systems and with no disassembly necessary:
 1. Remove the plastic cover
 2. Fit the check screws/grub screws (on couplings) in the relevant position
 3. Range of rotation can be finely adjusted using the respective holes
 4. Fit the plastic cover



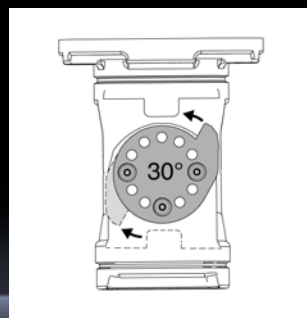
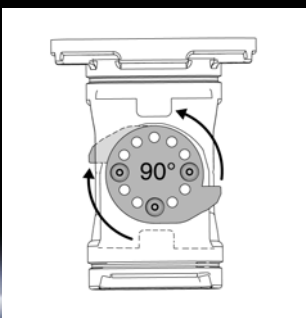
CP 60/120

- Range of rotation can be finely adjusted using the enclosed screws/grub screws.
- Depending on how the limit screws are arranged, the range of rotation can be set to up to seven stages. Easy access even with the system in-situ.



CP 180

- Range of rotation can be finely adjusted using the external limiting disc.
- Range of rotation can be set to several stages depending on the position of the screws.
- Range of rotation can also be limited on the top-mounted joint using check screws in the same way as for CP 60/120.



Support arm system CP 60/120/180

Clamping elements CP 60/120, open

- Provide additional stability to prevent rotation and twisting of support arm section CP 60/120, particularly with long jibs
- Easy handling when used in preassembled systems; no need to dismantle
- “Toothed” surfaces ensure optimum fixing
- Invisible positioning beneath the clip-in cover



Support arm system CP 60/120/180



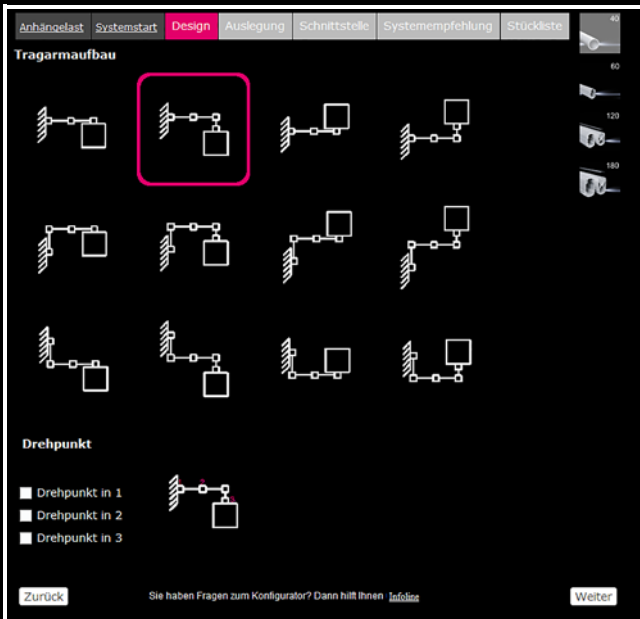
Support arm configurator for CP 40/60/120/180

Based on important user-specific parameters such as jib length, housing weight or the cable cross-sections required, the tool identifies the perfect system for your application.

Benefits:

- Individual assembly tailored to the requirements of the application
- Built-in consistency check
- The outcome is a plausibility-checked parts list
- Detailed cut-through dimensions of the support sections
- Free online configurator
- Simple and systematic menu guidance
- Consistent system solution

www.rittal.com



Support arm system CP 40 Steel/stainless steel

- Round tube system for low loads of up to 400 N
- The compact support arm system for small and slimline operating housings

Support arm system CP 60/120/180

Combinations

Perfectly tailored to suit Rittal operating housings.

- Comfort Panel
- Optipanel
- Operating housing with handle strips
- Operating housing for desktop TFT



Rittal – The System.

Faster – better – everywhere.

- Enclosures
- Power Distribution
- Climate Control
- IT Infrastructure
- Software & Services

You can find the contact details of all Rittal companies throughout the world here.



www.rittal.com/contact

ENCLOSURES

POWER DISTRIBUTION

CLIMATE CONTROL

IT INFRASTRUCTURE

SOFTWARE & SERVICES



FRIEDHELM LOH GROUP