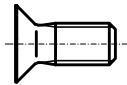




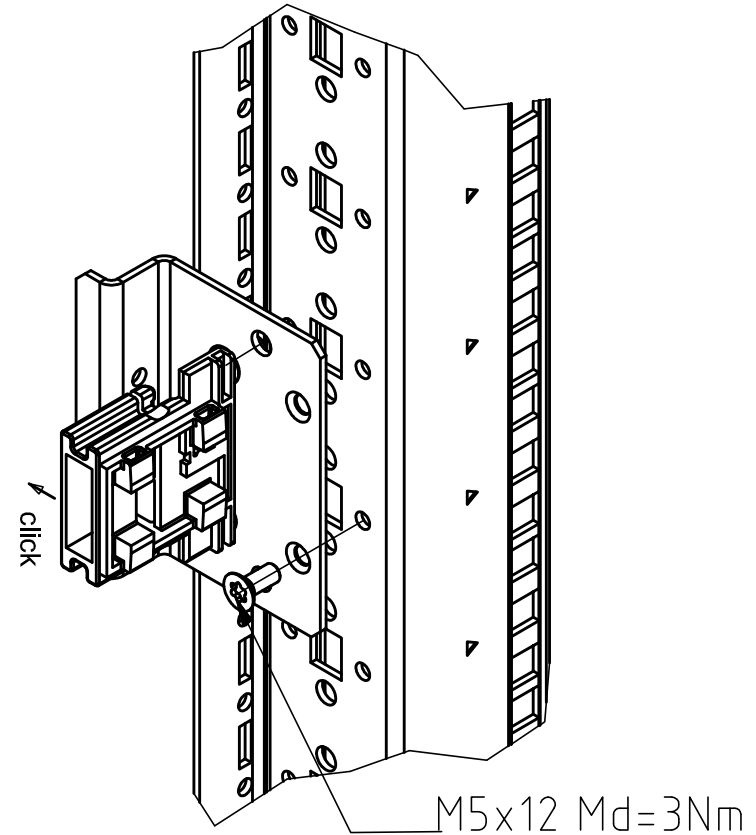
IT
7000.688

Raum für Verpackungsdatum
Area for date of packing
(MMJJTT / MMYDD)

4x



M5x12



Zchnng.-Nr. / No. of dwg. : A05641400ITA3

Versandbeutel-Nr. / No. of accessory bag :

Lieferanten-Nr. / No. of supplier :