

# Rittal – The System.

Faster – better – everywhere.

## ► Outdoor system solutions



ENCLOSURES

POWER DISTRIBUTION

CLIMATE CONTROL

IT INFRASTRUCTURE

SOFTWARE & SERVICES



FRIEDHELM LOH GROUP

# At home in any outdoor application







## Energy

- Mounting benefits – Flexible basic enclosure, optionally with doors front and rear, for rapid interior installation and optimum on-site accessibility
- Variable base mounting – Easy to plan, because it is suitable for all site conditions: Concrete base/plinth, base plate, plastic base/plinth



## Water industry

- Ideal material – Powder-coated aluminium for a long service life and corrosion resistance, plus fast machining of cut-outs
- Fast interior installation – All-round 25 mm system punchings and an extensive range of system accessories help to reduce assembly time



## Telecommunications

- Fully integrated system solutions for mobile communications and broadband network installation reduce planning complexity
- Vandal-resistant – Enclosure solutions up to resistance category RC4



## Telematics

- Optimum protection against corrosion – Coordinated mix of materials for heavily contaminated roadside environments increases servicing intervals



# CS New Basic enclosures – Flexibility included



## Systematic roof concept

Multi-functional benefits:

- Roof projection increases the proportion of shading
- Air exchange with all-round louvred grilles
- Fan for active climate control is covered in an IP-compatible manner



## Integral transport options

- Eyebolts on the inner roof, concealed by the rain canopy
- For transporting the fully loaded unit by crane



## Systematic installation benefits

- System compatibility thanks to TS 8 system punchings in the base
- Extensive range of system-compatible accessories for individual installations





# CS New Basic enclosures



**Climate control** Cat. 34, page 307 **Rail systems** Cat. 34, page 610 – 612 **Cable management** Cat. 34, page 650

Outdoor enclosure with 100 mm transport plinth and rain canopy with projections on all sides.

**Material:**

- Aluminium AlMg3

**Surface finish:**

- Powder-coated
- UV-resistant pure polyester

**Colour:**

- RAL 7035

**Protection category IP to IEC 60 529:**

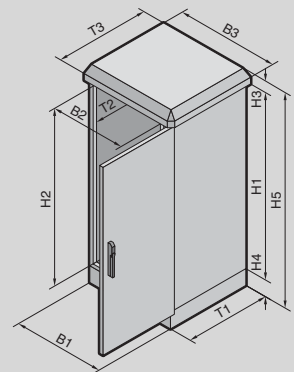
- IP 55
- NEMA 3R

**Supply includes:**

- Single-walled outdoor enclosure, fully pre-configured
- Basic enclosure with three-part gland plate
- 25 mm system punchings in the roof, base, front and in the enclosure depth
- Front door(s) with door stay, swing lever handle and semi-cylinder, lock BJ 20027
- Transport plinth with screw-fastened trim panels front and rear
- Enclosure with width 1200 mm has two 600 mm wide mounting panels
- Rain canopy

**Technical details:**

Available on the Internet



## Single-walled

| Width (B1) mm                               | VE       | 600             | 800             | 1200            | Page |
|---|----------|-----------------|-----------------|-----------------|------|
| Height (H1) mm                              |          | 1200            | 1200            | 1200            |      |
| Depth (T1) mm                               |          | 500             | 500             | 500             |      |
| Clearance width (B2) mm                     |          | 512             | 712             | 512             |      |
| Clearance height (H2) mm                    |          | 1112            | 1112            | 1112            |      |
| Clearance depth (T2) mm                     |          | 449             | 449             | 449             |      |
| Rain canopy width (B3) mm                   |          | 650             | 850             | 1250            |      |
| Rain canopy height (H3) mm                  |          | 55              | 55              | 55              |      |
| Rain canopy depth (T3) mm                   |          | 550             | 550             | 550             |      |
| Base/plinth height (H4) mm                  |          | 100             | 100             | 100             |      |
| Overall height (H5) mm                      |          | 1355            | 1355            | 1355            |      |
| <b>Model No.</b>                            | 1 pc(s). | <b>9783.530</b> | <b>9783.610</b> | <b>9784.540</b> |      |
| Door(s)                                     |          | 1               | 1               | 2               |      |
| Weight kg                                   |          | 38.0            | 49.5            | 66.0            |      |
| With removable centre bar, 2 lockable doors |          | –               | –               | ■               |      |

**Accessories**

|   |          |          |          |          |                   |
|---|----------|----------|----------|----------|-------------------|
| Concrete base/plinth                      | 1 pc(s). | 9765.082 | 9765.084 | 9765.086 | 7                 |
| Cable entry plates                        | 2 pc(s). | 8800.060 | 8800.080 | 8800.060 | 650 <sup>1)</sup> |
| Mounting plates                           | 1 pc(s). | 9765.092 | 9765.095 | 9765.191 | 7                 |
| Mounting angles 482.6 mm (19')            | 2 pc(s). | 7688.000 | 7688.000 | 7688.000 | 7                 |
| Installation brackets for mounting angles | 2 pc(s). | 7696.000 | 7698.000 | 7696.000 | 7                 |
| Enclosure heaters                         | 1 pc(s). | 3105.400 | 3105.400 | 3105.400 | 367 <sup>1)</sup> |
| Enclosure internal thermostat             | 1 pc(s). | 3110.000 | 3110.000 | 3110.000 | 379 <sup>1)</sup> |
| Semi-cylinder                             | 1 pc(s). | 9785.040 | 9785.040 | 9785.040 | 565 <sup>1)</sup> |

<sup>1)</sup> See Catalogue 34

# Accessories for CS New Basic enclosures

## Concrete base/plinth

### for CS New Basic enclosures

The base/plinth is made from pre-cast concrete sections which are easily fitted in situ. Front/rear base/plinth plate screw-fastened from the inside may be removed for servicing purposes. Overall height: approx. 1000 mm, excavation depth: approx. 700 mm.

#### Material:

- Light-weight concrete

#### Surface finish:

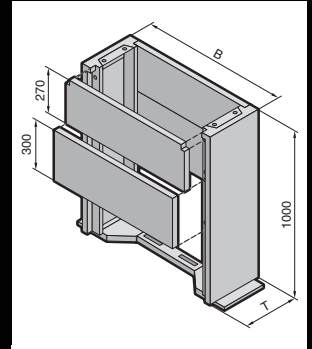
- Untreated

#### Supply includes:

- 1 base plate
- 2 side parts
- 2 divided base/plinth plates
- Assembly parts and fastening screws for mounting the enclosure

| For enclosure |              | Model No.       |
|---------------|--------------|-----------------|
| Width (B) mm  | Depth (T) mm |                 |
| 600           | 500          | <b>9765.082</b> |
| 800           | 500          | <b>9765.084</b> |
| 1200          | 500          | <b>9765.086</b> |

Extended delivery times.



## Mounting plates

### for CS New Basic enclosures

For the configuration of mounting levels. The mounting plates are depth-adjustable on a 25 mm pitch pattern.

#### Material:

- Aluminium, 3 mm

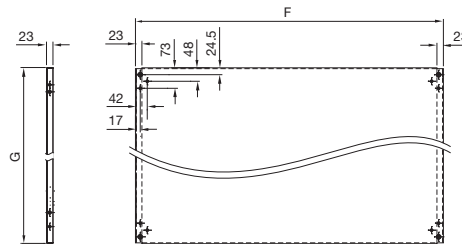
#### Supply includes:

- Assembly parts

#### Note:

- For an enclosure width of 1200 mm, partial installation with one or two 600 mm wide mounting plates is possible

| For enclosure |           | F    | G    | Model No.       |
|---------------|-----------|------|------|-----------------|
| Width mm      | Height mm |      |      |                 |
| 600           | 1200      | 499  | 1096 | <b>9765.092</b> |
| 800           | 1200      | 699  | 1096 | <b>9765.095</b> |
| 1200          | 1200      | 1099 | 1096 | <b>9765.191</b> |



## Mounting angles 482.6 mm (19')

### for CS New Basic enclosures

For mounting 482.6 mm (19') components in outdoor enclosures. The mounting angles are depth-adjustable on a 25 mm pitch pattern. A depth stay is required to attach the mounting angles.

#### Material:

- Sheet steel

#### Surface finish:

- Zinc-plated

#### Supply includes:

- Mounting accessories

| Enclosure height mm | U  | Packs of | Model No.       |
|---------------------|----|----------|-----------------|
| 1200                | 24 | 2 pc(s). | <b>7688.000</b> |



#### Also required:

Depth stays, see page 7



## Depth stays

### for mounting angles 482.6 mm (19')

#### Material:

- Sheet steel

#### Surface finish:

- Zinc-plated

| Enclosure width mm | Installation (centre) | Packs of | Model No.       |
|--------------------|-----------------------|----------|-----------------|
| 600/1200           | 482.6 mm (19')        | 2 pc(s). | <b>7696.000</b> |
| 800                | 482.6 mm (19')/metric | 2 pc(s). | <b>7698.000</b> |



# CS wall-mounted enclosures



**Compact enclosures AE, stainless steel** Cat. 34, page 179 **Hygienic Design** Cat. 34, page 170

Outdoor enclosures for wall or pole mounting. Enclosure-within-an-enclosure concept, outer enclosure with cut-out at the bottom and integrated louvres on the rear panel and side panels for ventilation.

**Material:**

- Enclosure: Aluminium AIMg3
- Mounting plate: Aluminium

**Surface finish:**

- Enclosure: Powder-coated, UV-resistant pure polyester
- Mounting plate: Clear chromated

**Colour:**

- RAL 7035

**Protection category IP to IEC 60 529:**

- IP 55

**Supply includes:**

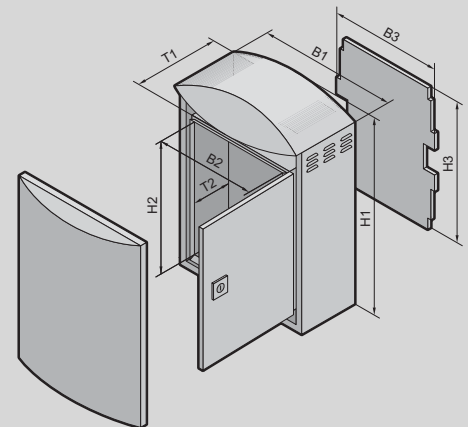
- Double-walled outdoor enclosure fully pre-configured
- Inner enclosure with mounting plate, gland plate and security lock (CS 9791.045 with 2 security locks)
- Mounting bracket for enclosure internal thermostat or hygrostat
- Outer enclosure with designer cover and security lock 3524 E
- 2 C rails on the rear panel

**Availability:**

Available on request

**Technical details:**

Available on the Internet



## Double-walled

| Outer enclosure               |          |                 |                 |                 |                 |               |
|-------------------------------|----------|-----------------|-----------------|-----------------|-----------------|---------------|
| Width (B1) mm                 | Packs of | 370             | 420             | 530             | 630             | Cat. 34, page |
| Height (H1) mm                |          | 522             | 560             | 700             | 780             |               |
| Depth (T1) mm                 |          | 210             | 210             | 265             | 380             |               |
| Inner enclosure               |          |                 |                 |                 |                 |               |
| Width (B2) mm                 |          | 300             | 350             | 460             | 580             |               |
| Height (H2) mm                |          | 400             | 440             | 565             | 580             |               |
| Depth (T2) mm                 |          | 170             | 170             | 220             | 333             |               |
| Clearance width mm            |          | 280             | 330             | 440             | 560             |               |
| Clearance height mm           |          | 380             | 420             | 545             | 560             |               |
| Clearance depth mm            |          | 145             | 145             | 195             | 308             |               |
| Mounting plate width (B3) mm  |          | 270             | 320             | 430             | 550             |               |
| Mounting plate height (H3) mm |          | 380             | 410             | 535             | 550             |               |
| <b>Model No.</b>              | 1 pc(s). | <b>9791.015</b> | <b>9791.025</b> | <b>9791.035</b> | <b>9791.045</b> |               |
| Accessories                   |          |                 |                 |                 |                 |               |
| Pole clamp                    | 1 set(s) | 2584.000        | 2584.000        | 2584.000        | 2584.000        | 589           |
| Enclosure heaters             | 1 pc(s). | 3105.330        | 3105.330        | 3105.330        | 3105.330        | 366           |
| Enclosure internal thermostat | 1 pc(s). | 3110.000        | 3110.000        | 3110.000        | 3110.000        | 379           |
| Hygrostat                     | 1 pc(s). | 3118.000        | 3118.000        | 3118.000        | 3118.000        | 380           |
| Socket                        | 2 pc(s). | 2506.100        | 2506.100        | 2506.100        | 2506.100        | 424           |
| LED system light              | 1 pc(s). | 4140.810        | 4140.810        | 4140.820        | 4140.820        | 637           |
| LED connection cable          | 1 pc(s). | 4315.800        | 4315.800        | 4315.800        | 4315.800        | 638           |
| Adaptor power pack            | 1 pc(s). | 4315.860        | 4315.860        | 4315.860        | 4315.860        | 638           |



# CS Toptec

## Universal platform for outdoor applications

- TS 8 frame – Identical system platform in the outdoor sector as for IE or IT free-standing enclosures
- Weather canopy – With projection on all sides
- Chimney effect of the twin-walled structure – Reduces the influence of sunlight
- Mounting benefit – Open frame structure means fast configuration, also applies to bayed variants



## Version

### Enclosure type:

- Outdoor enclosure, twin-walled

### Material:

- Base frame: Stainless steel
- Enclosure panels: Aluminium
- Rain canopy: Aluminium

### Variants and modifications available on request:

- Dimensions
- Baying
- Side door
- Rear door
- Climate control

### Typical size variants:

Width x height x depth

- 600 x 1200 x 600 mm
- 800 x 1200 x 600 mm
- 600 x 1600 x 600 mm
- 800 x 1600 x 600 mm

# MFC – Multifunctional cabinets

## Platform for telecommunications solutions

- Weather canopy – with ventilation
- Gland plate with cable glands
- 482.6 mm (19") mounting angles inside the enclosure, in stainless steel throughout
- Aluminium mounting plate
- Depending on the design, with single door/two doors, symmetrical or asymmetrical



## Version

### Enclosure type:

- Modular outdoor enclosure system, single- or twin-walled

### Material:

- Base frame: Aluminium
- Enclosure and panels: Aluminium
- Rain canopy: Aluminium
- 482.6 mm (19") mounting angles: Stainless steel

### Variants available on request:

- MFC 8 single-walled:  
WHD 1000 x 1500 x 500 mm
- MFC 8 twin-walled:  
WHD 1000 x 1500 x 500 mm
- MFC 12 twin-walled:  
WHD 1300 x 1500 x 500 mm
- MFC 15 twin-walled:  
WHD 1700 x 1500 x 500 mm
- MFC 18 twin-walled:  
WHD 2000 x 1500 x 500 mm

### Accessories available on request:

- Base/plinth
- DAC (Direct Air Cooling)
- Heat exchanger
- Battery base
- PSU (energy meter for power supply companies)
- Voltage transformer

More information can be found at [www.rittal.com](http://www.rittal.com)





# Rittal – The System.

Faster – better – everywhere.

- Enclosures
- Power Distribution
- Climate Control
- IT Infrastructure
- Software & Services

You can find the contact details of all Rittal companies throughout the world here.



[www.rittal.com/contact](http://www.rittal.com/contact)

ENCLOSURES

POWER DISTRIBUTION

CLIMATE CONTROL

IT INFRASTRUCTURE

SOFTWARE & SERVICES



FRIEDHELM LOH GROUP