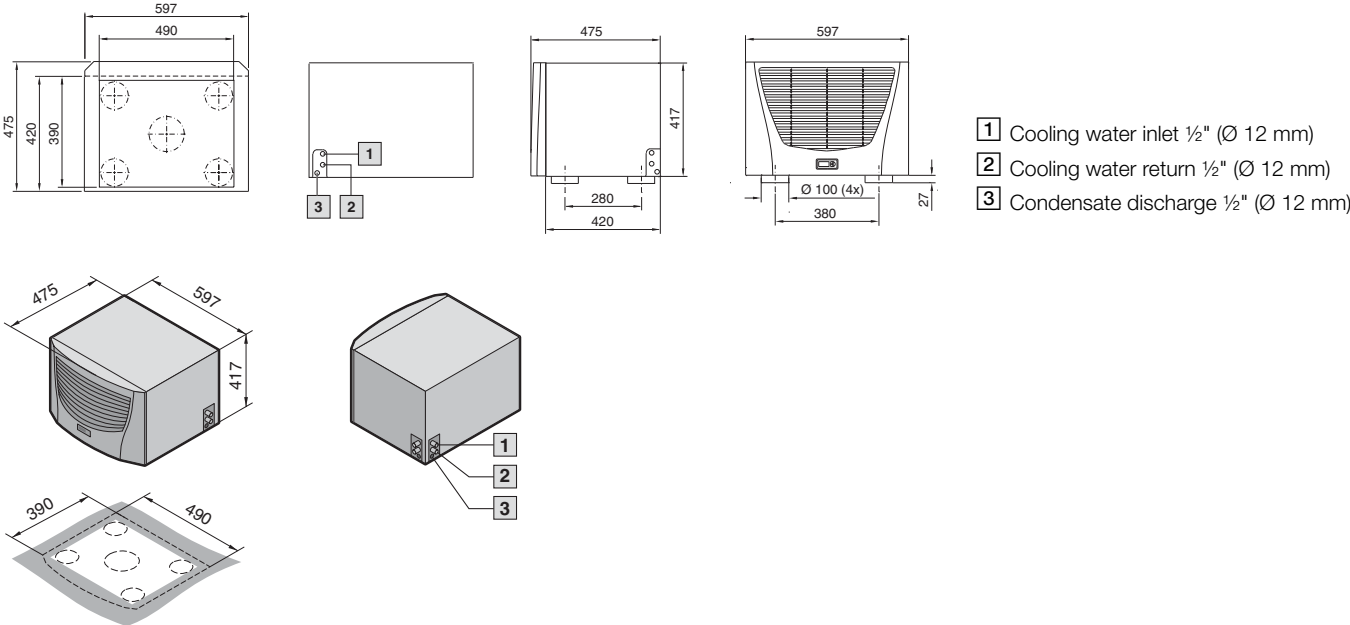


### Air/water heat exchangers

Roof-mounted, SK 3209.XXX, SK 3210.XXX

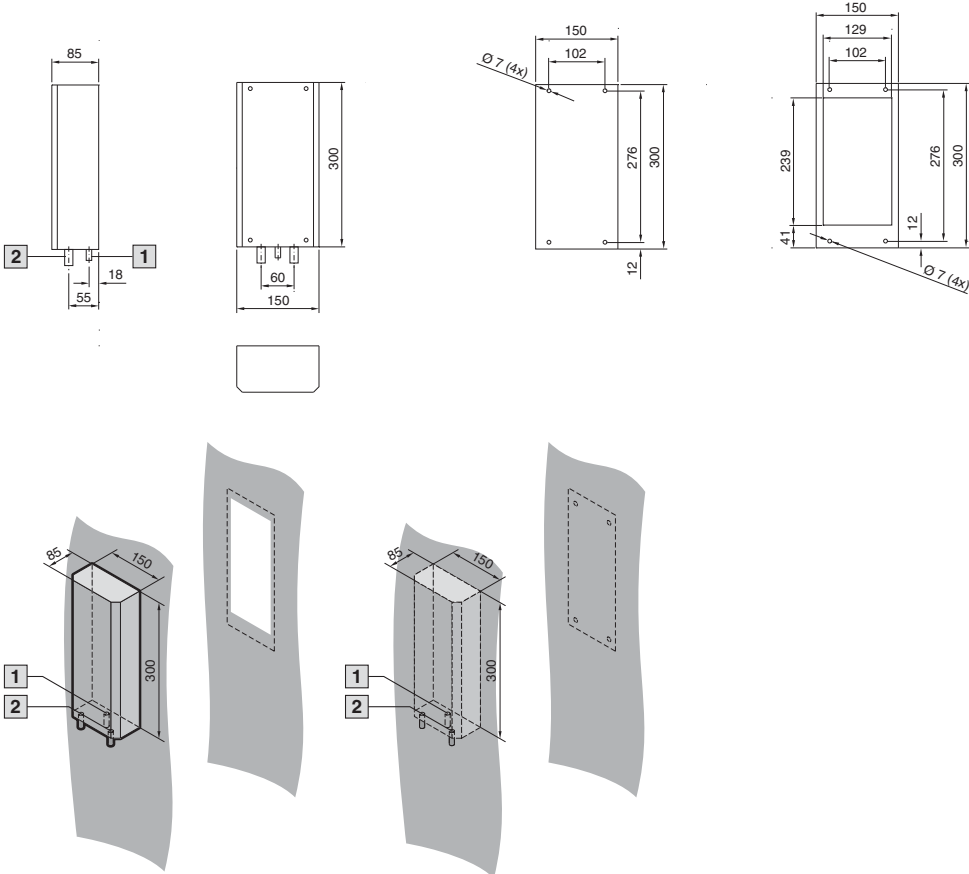


### Wall-mounted, SK 3212.XXX

Mounting holes for internal mounting

Mounting cut-out for external mounting

- 1 Condensate discharge 3/8"
- 2 Cooling water connection 3/8"

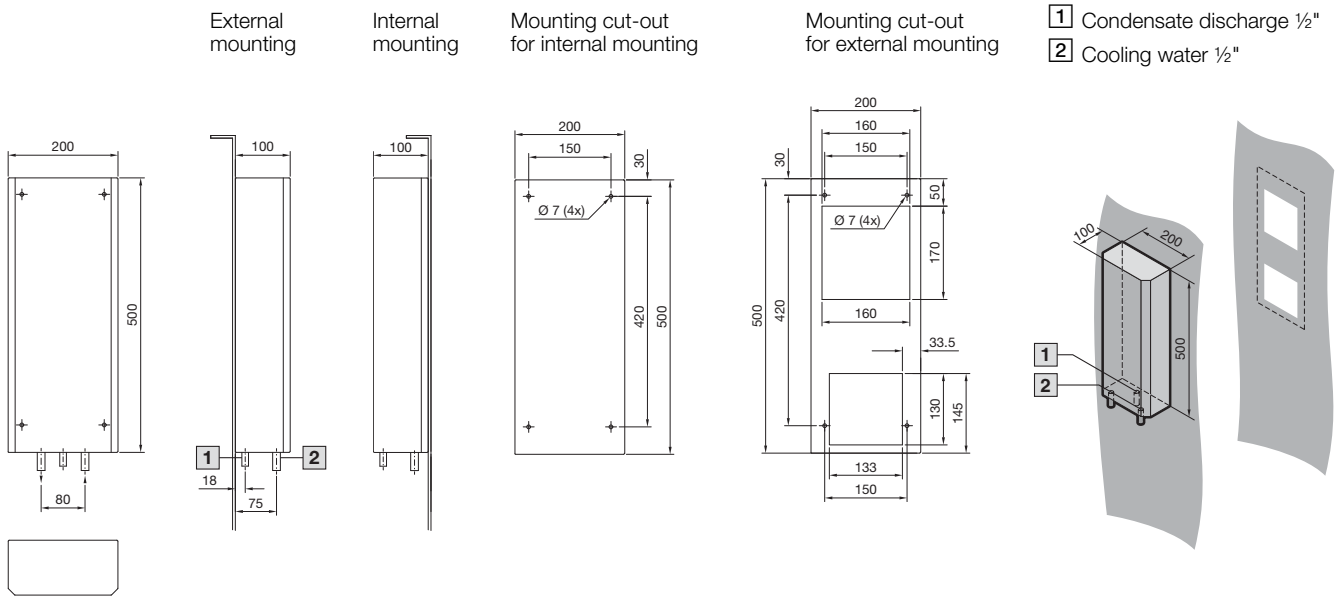


# Climate control

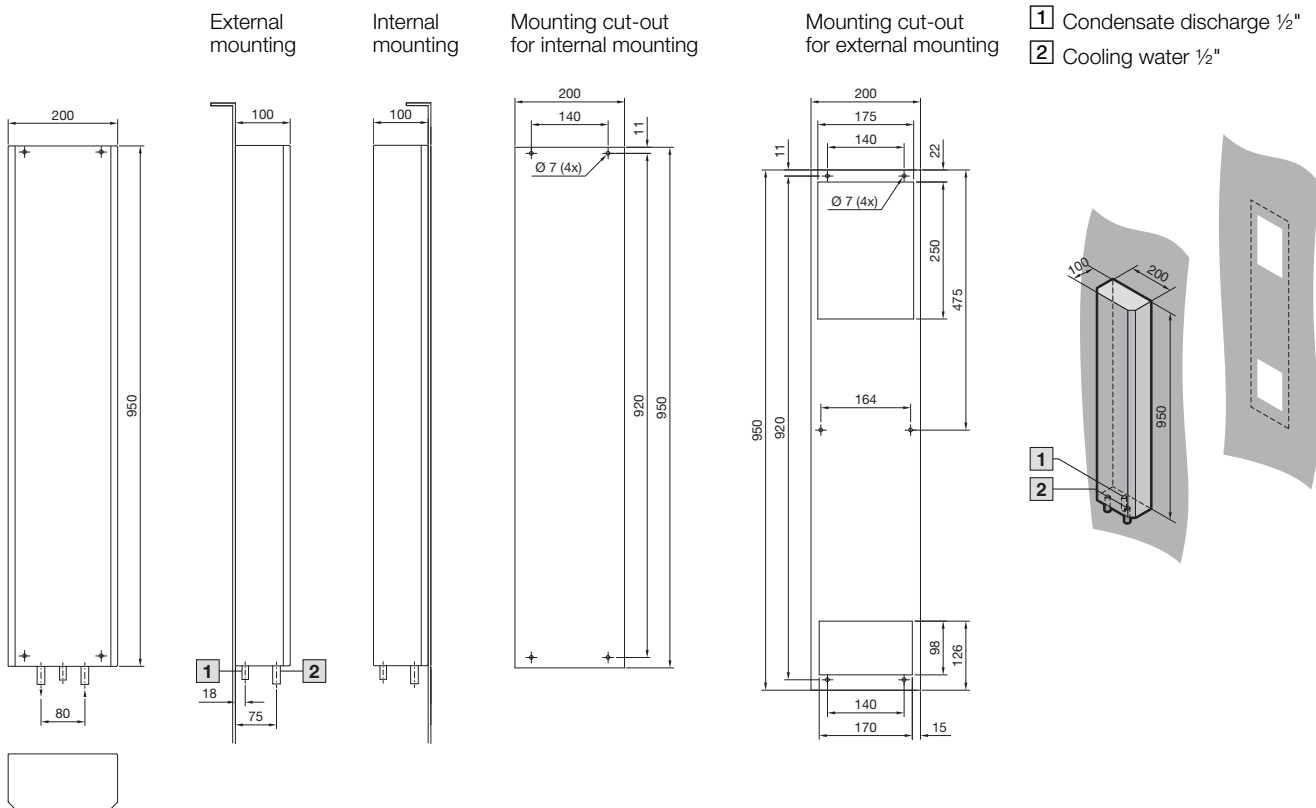
## Cooling with water

### Air/water heat exchangers

Wall-mounted, SK 3214.XXX

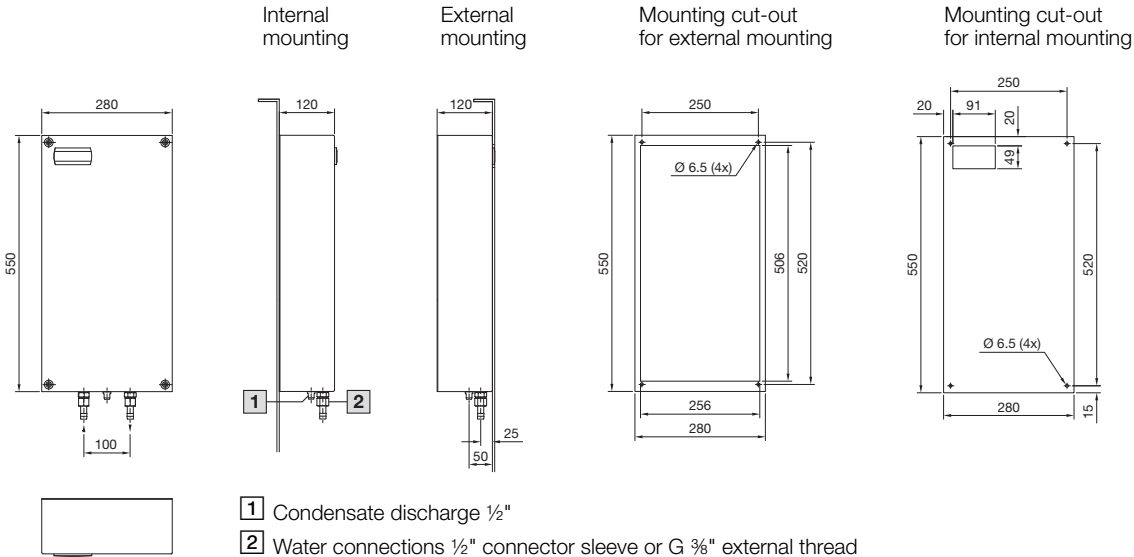


Wall-mounted, SK 3215.XXX

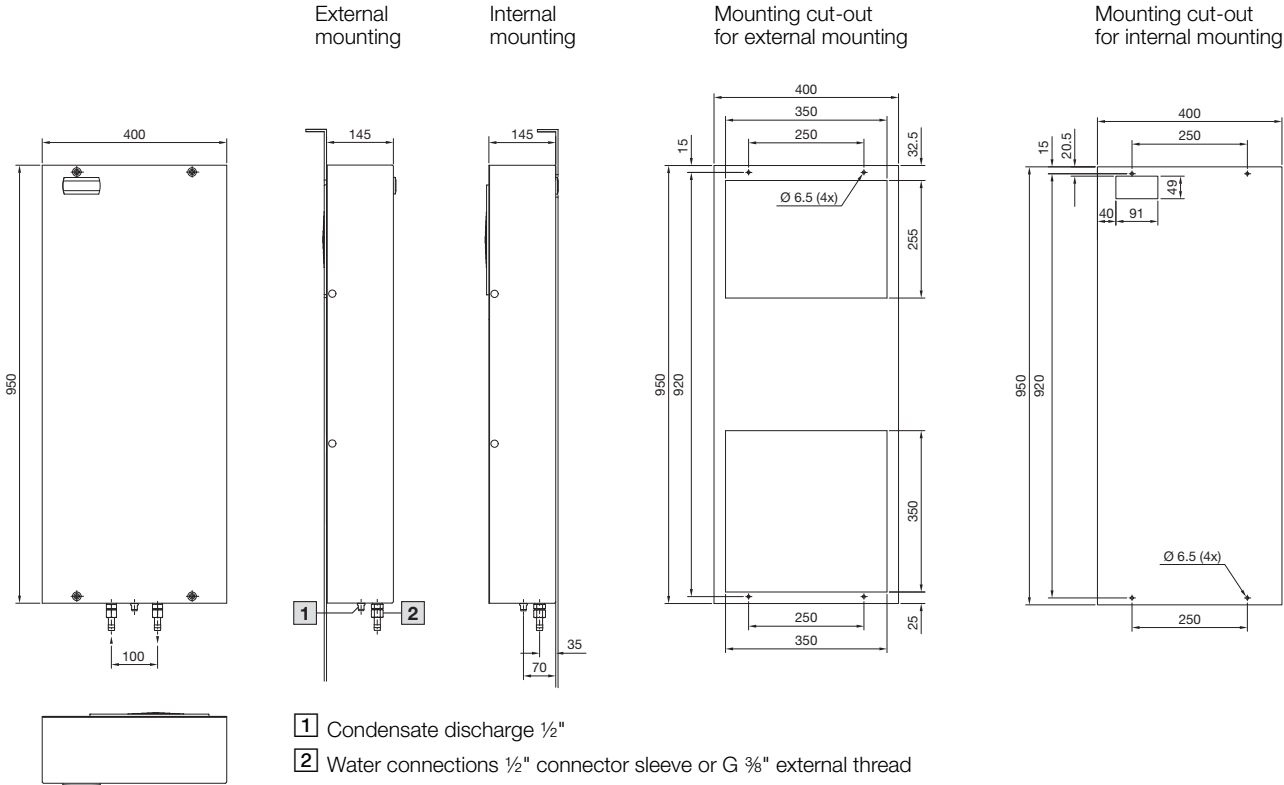


### Air/water heat exchangers

Wall-mounted, SK 3363.XXX, SK 3364.XXX



Wall-mounted, SK 3373.XXX, SK 3374.XXX

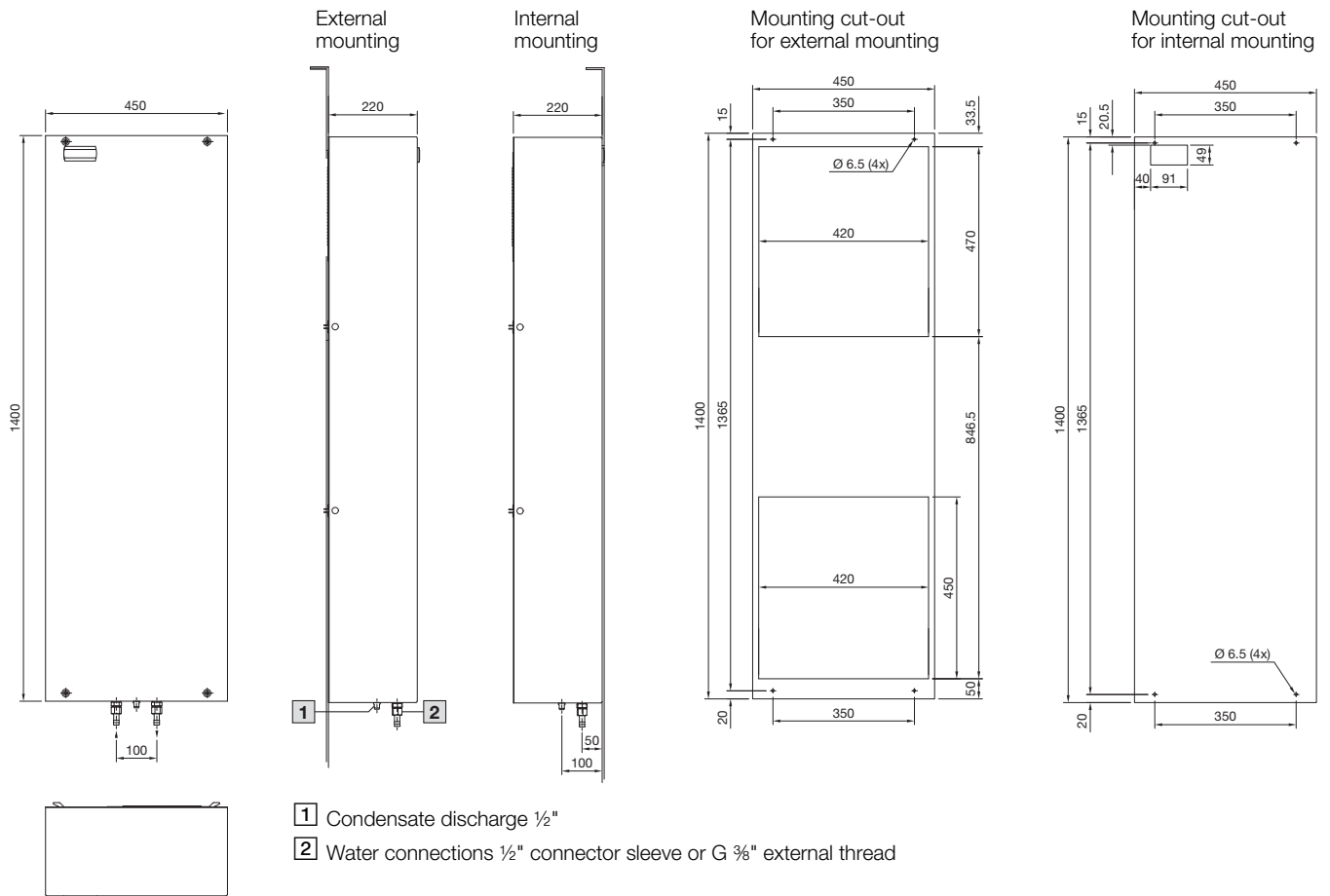


# Climate control

## Cooling with water

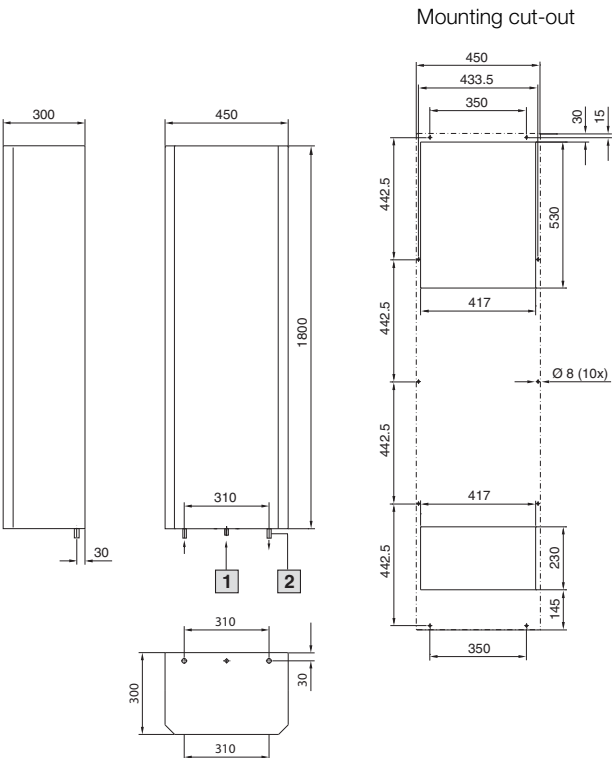
### Air/water heat exchangers

Wall-mounted, SK 3375.XXX



**Air/water heat exchangers**

Wall-mounted, SK 3216.480



- 1 Condensate discharge 1/2"
- 2 Water connections 1/2" connector sleeve or G 3/8" external thread

