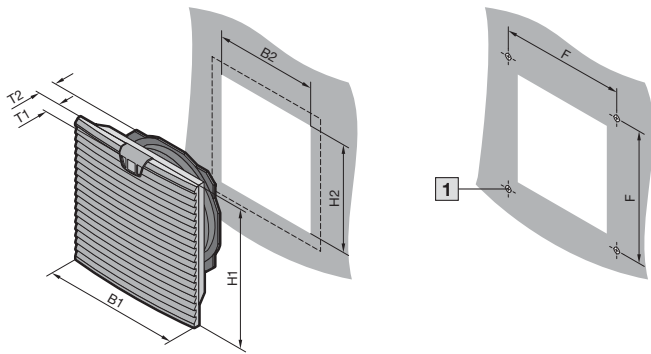


# Climate control

## Cooling with ambient air

### TopTherm fan-and-filter units



#### Fan-and-filter units

Model No. SK			Product dimensions mm						Hole size mm	
			Fan-and-filter units			Max. installation depth	Mounting cut-out			
Standard	EMC	EC	B1	H1	T1	T2	B2	H2	1 Ø	F
<b>3237.100</b>	<b>3237.600</b>	-	116.5	116.5	16	43	92	92	3.5	100.5
<b>3237.110</b>	-	-								
<b>3237.124</b>	-	-								
<b>3238.100</b>	<b>3238.600</b>	<b>3238.500</b>	148.5	148.5	16	58.5	124	124	3.5	132.5
<b>3238.110</b>	-	-								
<b>3238.124</b>	-	-								
<b>3239.100</b>	<b>3239.600</b>	<b>3239.500</b>	204	204	24	90	177	177	4.5	185
<b>3239.110</b>	-	-								
<b>3239.124</b>	-	-								
<b>3240.100</b>	<b>3240.600</b>	<b>3240.500</b>	255	255	25	107	224	224	4.5	234
<b>3240.110</b>	-	-								
<b>3240.124</b>	-	-								
<b>3241.100</b>	<b>3241.600</b>	<b>3241.500</b>								
<b>3241.110</b>	-	-	323	323	25	118.5	292	292	4.5	302
<b>3241.124</b>	-	-								
<b>3243.100</b>	<b>3243.600</b>	<b>3243.500</b>								
<b>3243.110</b>	-	-	323	323	25	130.5	292	292	4.5	302
<b>3244.100</b>	<b>3244.600</b>	<b>3244.500</b>								
<b>3244.110</b>	<b>3245.600</b>	<b>3245.500</b>								
<b>3244.140</b>	-	<b>3245.510</b>								

#### Outlet filters

Model No. SK			Product dimensions mm						Hole size mm	
			Outlet filters			Max. installation depth	Mounting cut-out			
Standard and EC	EMC	EC (Model No. same as standard)	B1	H1	T1	T2	B2	H2	1 Ø	F
<b>3237.200</b>	<b>3237.060</b>	-	116.5	116.5	16	12	92	92	3.5	100.5
<b>3238.200</b>	<b>3238.060</b>	-	148.5	148.5	16	14	124	124	3.5	132.5
<b>3239.200</b>	<b>3239.060</b>	-	204	204	24	23	177	177	4.5	185
<b>3240.200</b>	<b>3240.060</b>	-	255	255	24	23	224	224	4.5	234
<b>3243.200</b>	<b>3243.060</b>	-	323	323	24	23	292	292	4.5	302