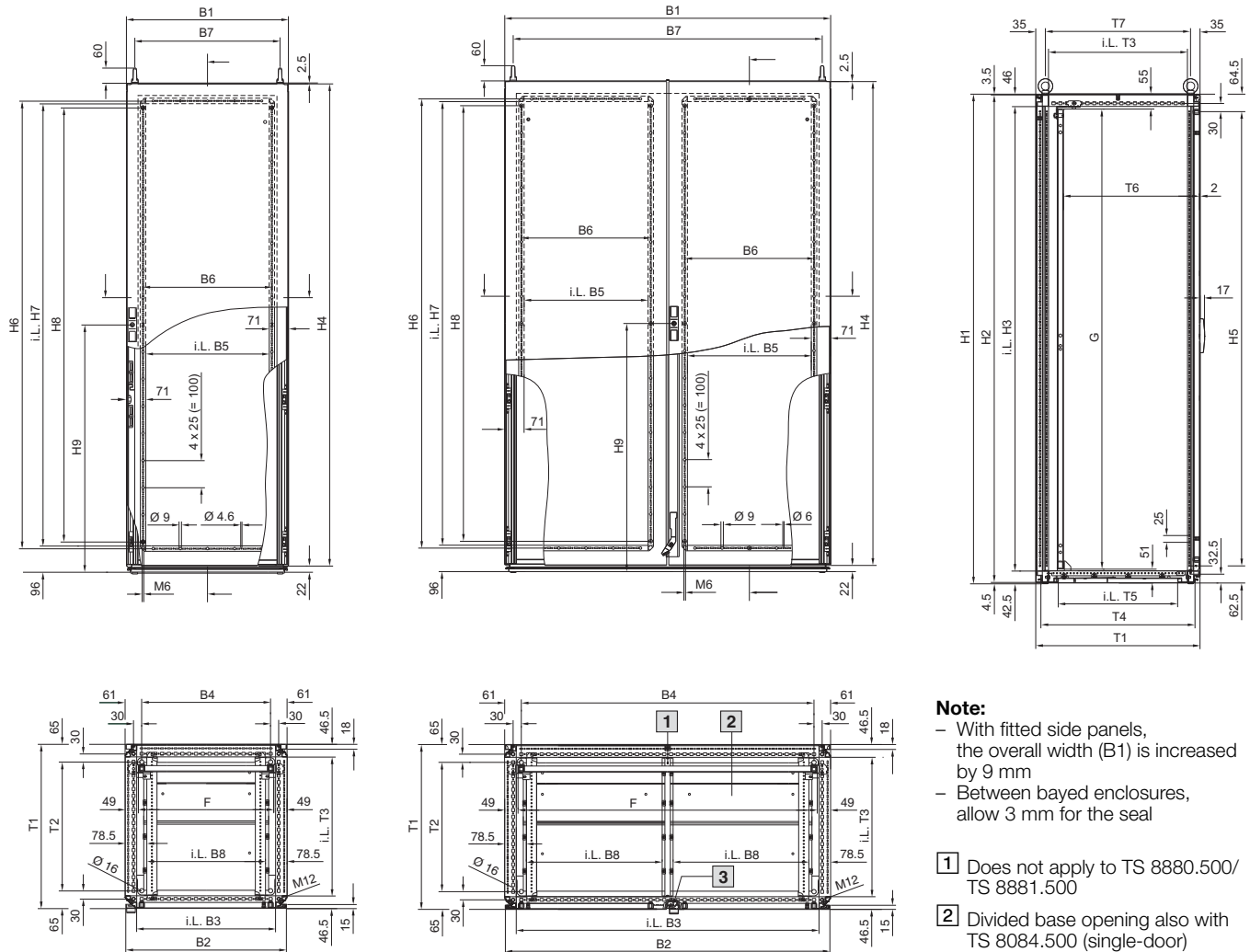


### Baying systems TS 8



**Note:**

- With fitted side panels, the overall width (B1) is increased by 9 mm
- Between bayed enclosures, allow 3 mm for the seal

- 1** Does not apply to TS 8880.500/ TS 8881.500
- 2** Divided base opening also with TS 8084.500 (single-door)
- 3** In the vicinity of the adjacent door lock, T6 is reduced by 45 mm

i.L. = Clearance width

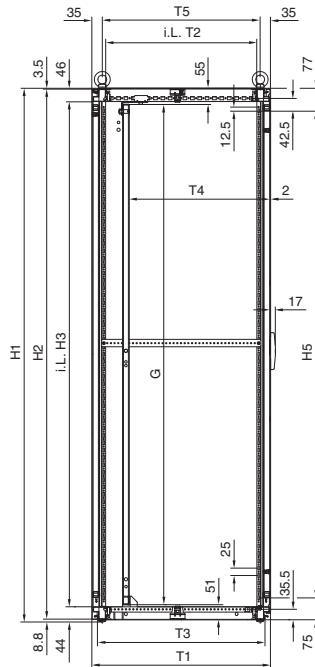
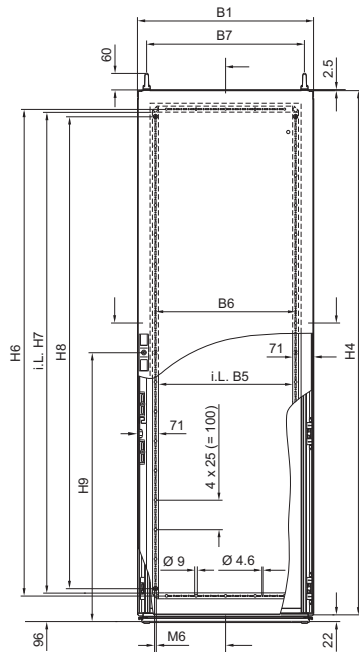
**Double-door**

Model No. TS		Width dimensions mm								Height dimensions mm									Depth dimensions mm							Mounting plates mm	
Spray-finished	Stainless steel	B1	B2	B3	B4	B5	B6	B7	B8	H1	H2	H3	H4	H5	H6	H7	H8	H9	T1	T2	T3	T4	T5	T6	T7	F	G
8215.500	-	1197	1192	1112	1075	455	475	1135	500	1205	1197	1112	1177.5	1075	1050	1030	1000	611	505	375	412	468	340	130 - 455	435	1099	1096
8245.500	-	1197	1192	1112	1075	455	475	1135	500	1405	1397	1312	1377.5	1275	1250	1230	1200	711	505	375	412	468	340	130 - 455	435	1099	1296
8080.500	-	997	992	912	875	355	375	935	400	1805	1797	1712	1777.5	1675	1650	1630	1600	911	405	275	312	368	240	130 - 355	335	899	1696
8284.500	8456.X00	1197	1192	1112	1075	455	475	1135	500	1805	1797	1712	1777.5	1675	1650	1630	1600	911	405	275	312	368	240	130 - 355	335	1099	1696
8880.500	-	797	792	712	675	255	275	735	640	1805	1797	1712	1777.5	1675	1650	1630	1600	911	505	375	412	468	340	130 - 455	435	699	1696
8285.500	8453.X00	1197	1192	1112	1075	455	475	1135	500	1805	1797	1712	1777.5	1675	1650	1630	1600	911	505	375	412	468	340	130 - 455	435	1099	1696
8881.500	-	797	792	712	675	255	275	735	640	1805	1797	1712	1777.5	1675	1650	1630	1600	911	605	475	512	568	440	130 - 555	535	699	1696
8286.500	-	1197	1192	1112	1075	455	475	1135	500	1805	1797	1712	1777.5	1675	1650	1630	1600	911	605	475	512	568	440	130 - 555	535	1099	1696
8004.500	-	997	992	912	875	355	375	935	400	2005	1997	1912	1977.5	1875	1850	1830	1800	1011	405	275	312	368	240	130 - 355	335	899	1896
8204.500	-	1197	1192	1112	1075	455	475	1135	500	2005	1997	1912	1977.5	1875	1850	1830	1800	1011	405	275	312	368	240	130 - 355	335	1099	1896
8005.500	-	997	992	912	875	355	375	935	400	2005	1997	1912	1977.5	1875	1850	1830	1800	1011	505	375	412	468	340	130 - 455	435	899	1896
8205.500	-	1197	1192	1112	1075	455	475	1135	500	2005	1997	1912	1977.5	1875	1850	1830	1800	1011	505	375	412	468	340	130 - 455	435	1099	1896
8006.500	-	997	992	912	875	355	375	935	400	2005	1997	1912	1977.5	1875	1850	1830	1800	1011	605	475	512	568	440	130 - 555	535	899	1896
8206.500	8451.X00	1197	1192	1112	1075	455	475	1135	500	2005	1997	1912	1977.5	1875	1850	1830	1800	1011	605	475	512	568	440	130 - 555	535	1099	1896
8208.500	-	1197	1192	1112	1075	455	475	1135	500	2005	1997	1912	1977.5	1875	1850	1830	1800	1011	805	675	712	768	640	130 - 755	735	1099	1896
8226.500	-	1197	1192	1112	1075	455	475	1135	500	2205	2197	2112	2177.5	2075	2050	2030	2000	1111	605	475	512	568	440	130 - 555	535	1099	2096
8265.500	-	1197	1192	1112	1075	455	475	1135	500	1605	1597	1512	1577.5	1475	1450	1430	1400	811	505	375	412	468	340	130 - 455	435	1099	1496

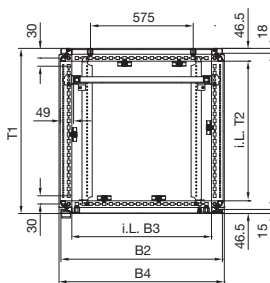
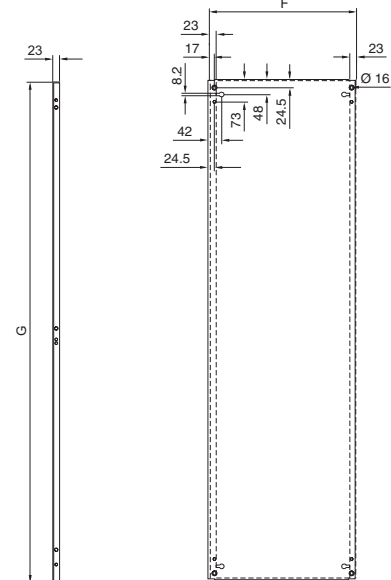


### Baying systems TS 8

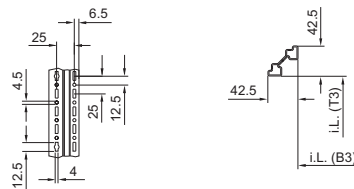
IP 66/NEMA 4, IP 66/NEMA 4X



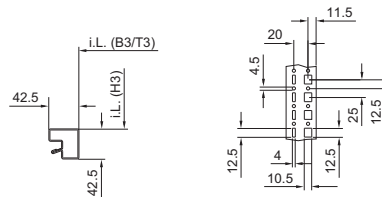
Mounting plate



Cross-sections vertical



Horizontal



- 1 Earthing
  - 2 Extra hole
- i.L. = Clearance width

#### Enclosure

- B1 = Overall width without side panels
- B2 = Width of door
- B3 = Clearance of enclosure frame
- B4 = Overall width with side panels
- B5 = Clearance of tubular door frame
- B6 = Distance between axes, tubular door frame holes
- B7 = Distance between lifting eyes

- H1 = Overall height
- H2 = Height of rear panel
- H3 = Clearance of enclosure frame
- H4 = Height of door
- H5 = Section length of system punchings
- H6 = Distance between axes, tubular door frame holes
- H7 = Clearance of tubular door frame
- H8 = Distance between fastening bolts, tubular door frame
- H9 = Distance from base to centre of lock

- T1 = Overall depth
- T2 = Clearance of enclosure frame
- T3 = Depth of base frame
- T4 = Poss. mounting depth (m. plate assembly) adjustable on a 25 mm pitch pattern
- T5 = Centre of lifting eye to centre of lifting eye

#### Mounting plate

- F = Overall width
- G = Overall height

#### Single-door

Model No. TS		Width dimensions mm							Height dimensions mm									Depth dimensions mm					Mounting plates mm	
IP 66 NEMA 4	IP 66 NEMA 4X	B1	B2	B3	B4	B5	B6	B7	H1	H2	H3	H4	H5	H6	H7	H8	H9	T1	T2	T3	T4	T5	F	G
8806.580	8450.680	797	792	712	806	655	675	735	2009.3	1997	1912	1977.5	1850	1850	1830	1800	1011	605	512	568	126.5 – 556.5	535	699	1896