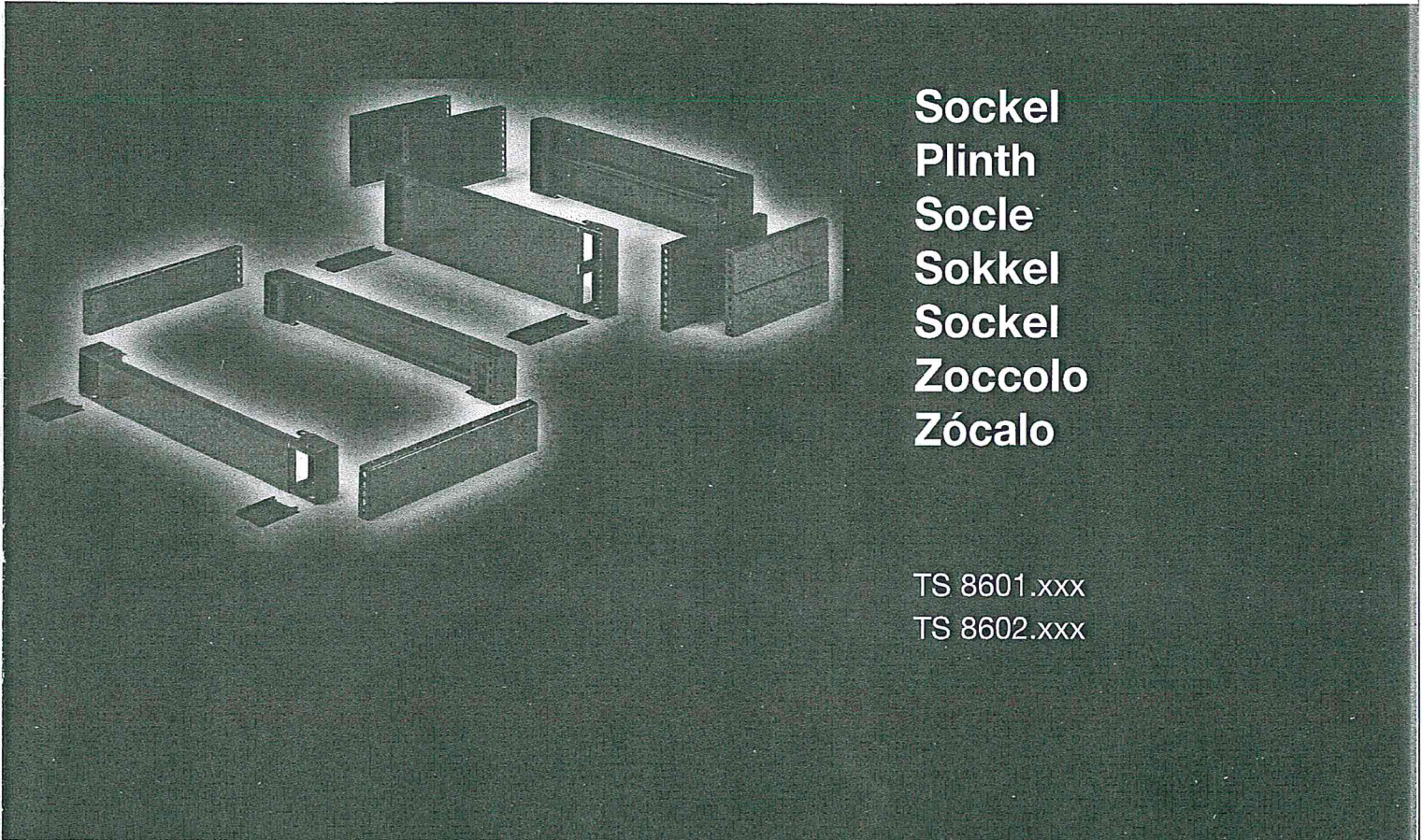


Rittal – The System.

Faster – better – worldwide.



Socket
Plinth
Socle
Sokkel
Socket
Zoccolo
Zócalo

TS 8601.xxx

TS 8602.xxx

Montage-, Installations- und Bedienungsanleitung

Assembly and operating instructions

Manuel d'installation et de maintenance

Montage- en bedieningshandleiding

Montage- och hanteringsanvisning

Istruzioni di montaggio e funzionamento

Instrucciones de montaje

取扱説明書

ENCLOSURES

POWER DISTRIBUTION

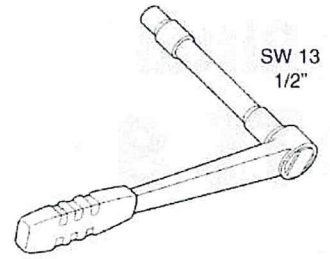
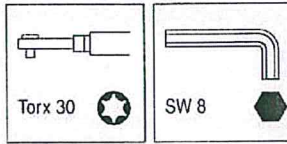
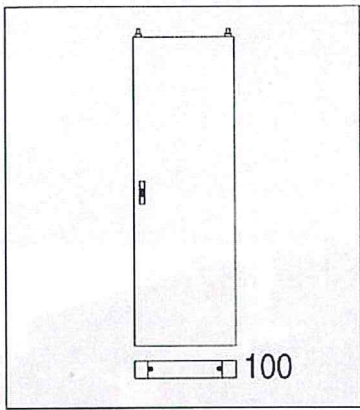
CLIMATE CONTROL

IT INFRASTRUCTURE

SOFTWARE & SERVICES

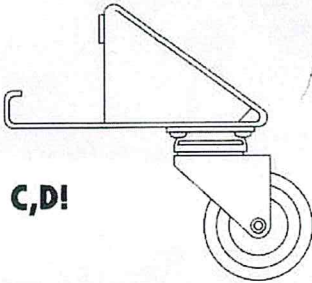


FRIEDHELM LOH GROUP

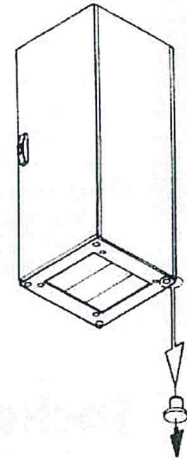
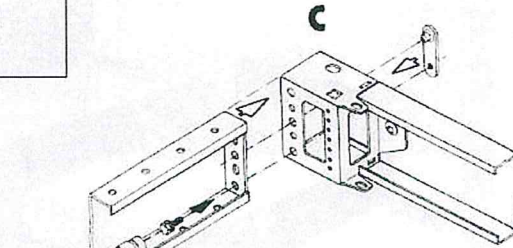


SW 13
1/2"

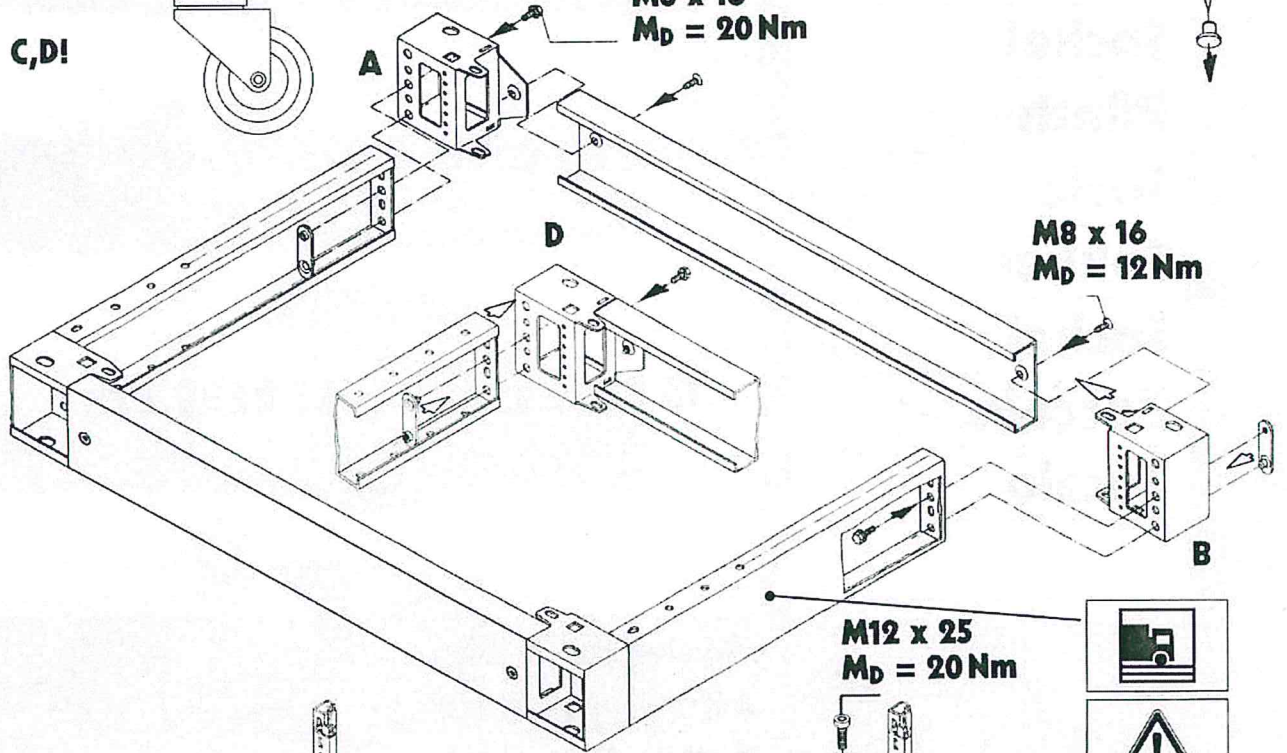
TS 8800.290
TS 8800.390



C, D!

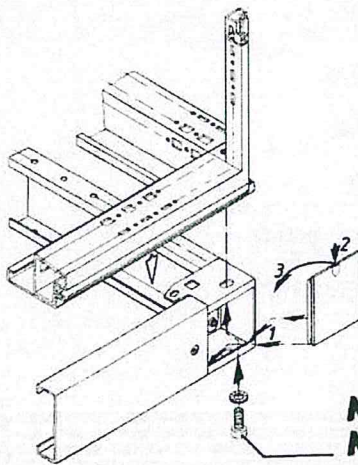


M8 x 16
M_D = 20 Nm

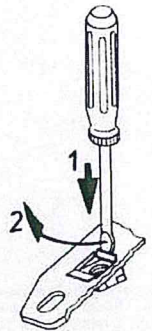
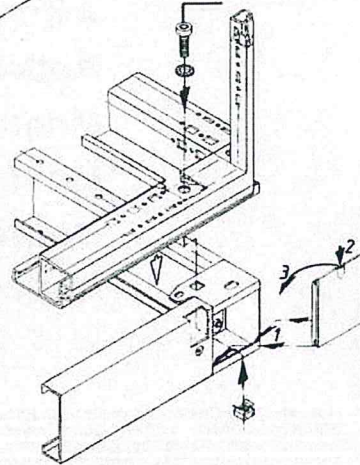


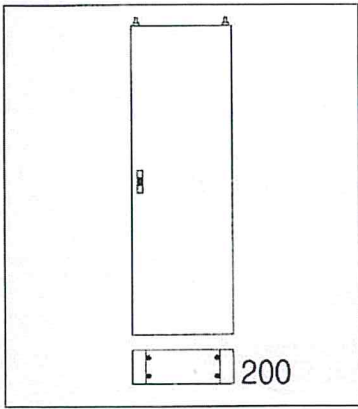
M8 x 16
M_D = 12 Nm

M12 x 25
M_D = 20 Nm

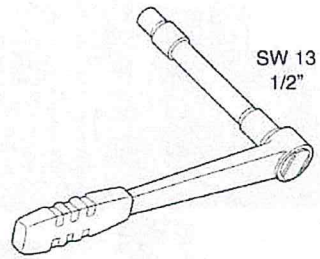
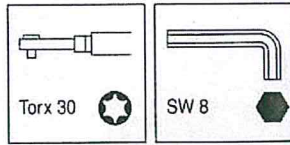


M12 x 25
M_D = 20 Nm

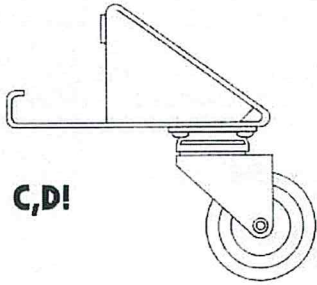




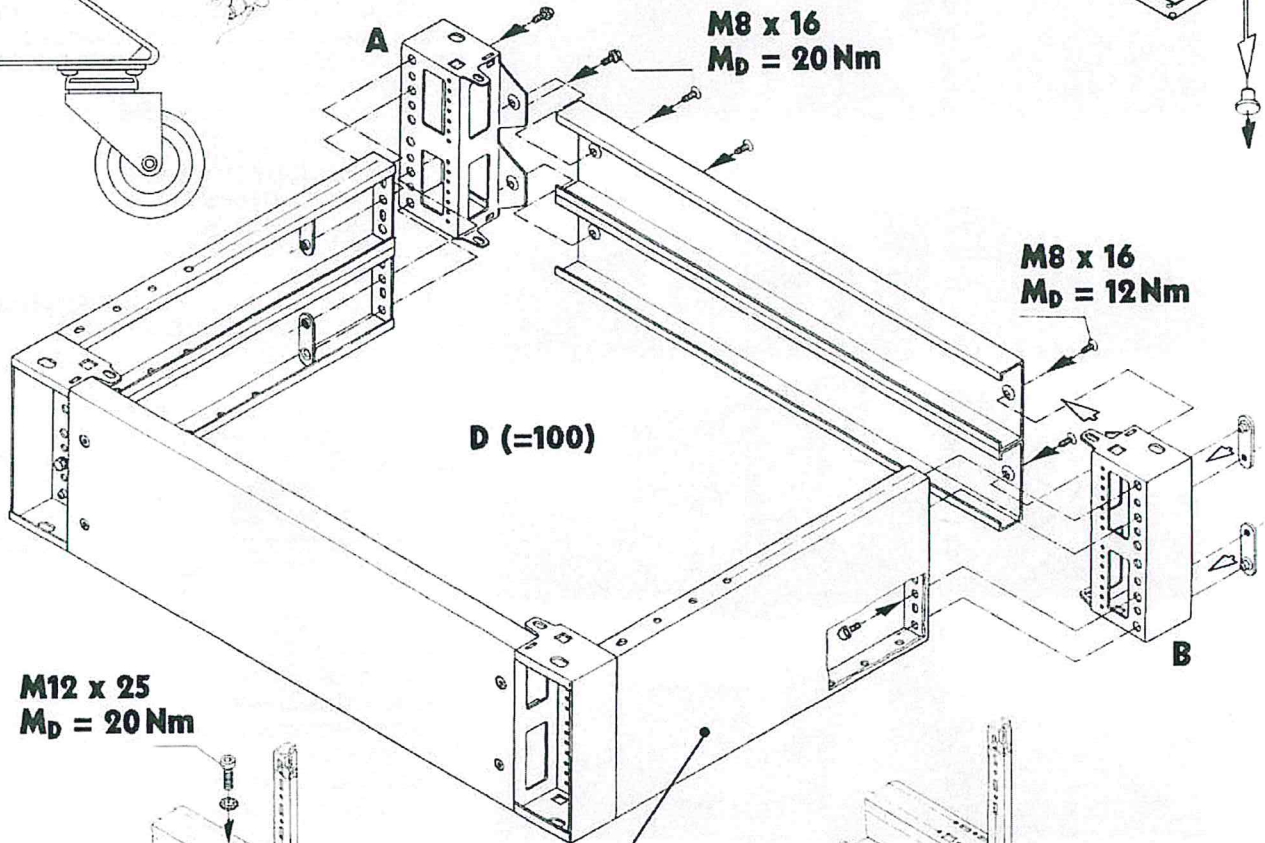
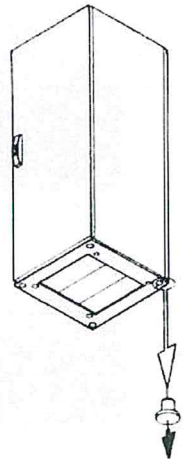
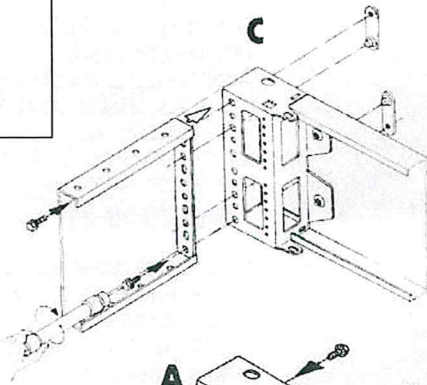
TS 8800.290
TS 8800.390



SW 13
1/2"



C, D!

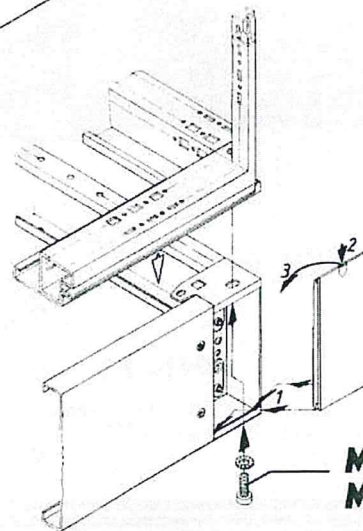
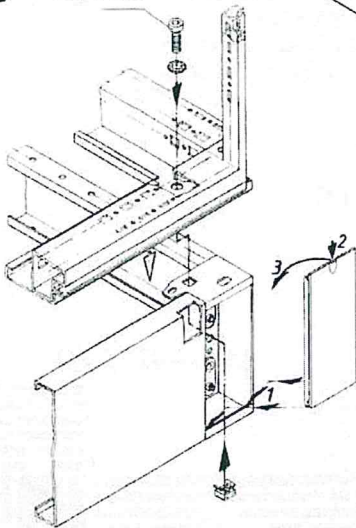


M8 x 16
 $M_D = 20 \text{ Nm}$

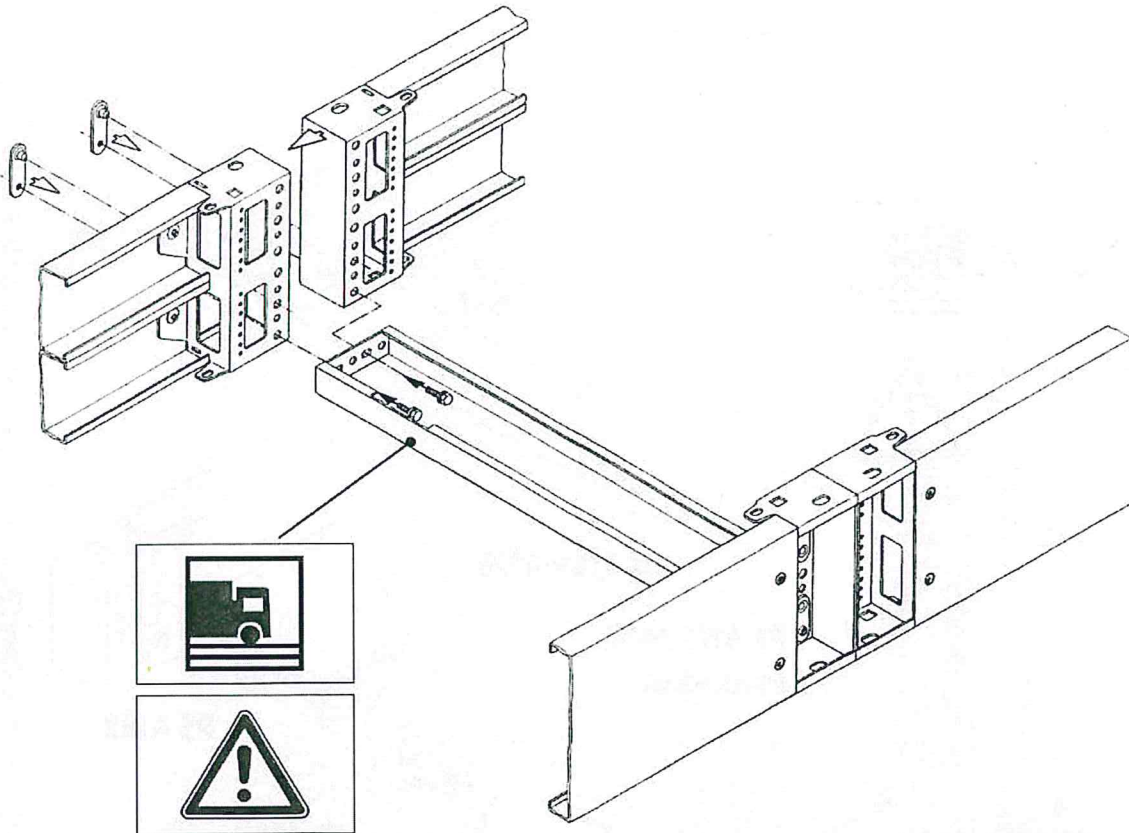
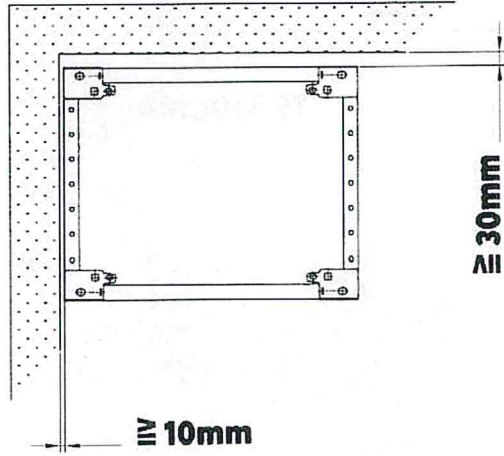
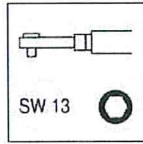
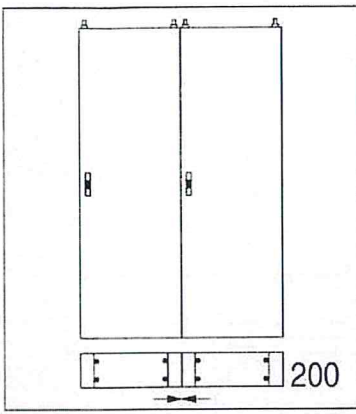
M8 x 16
 $M_D = 12 \text{ Nm}$

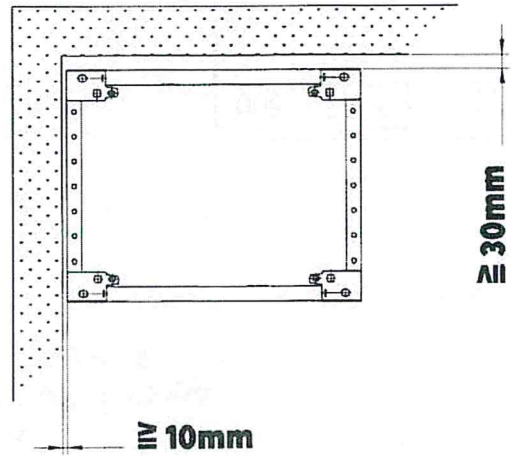
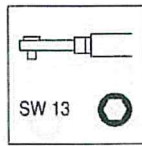
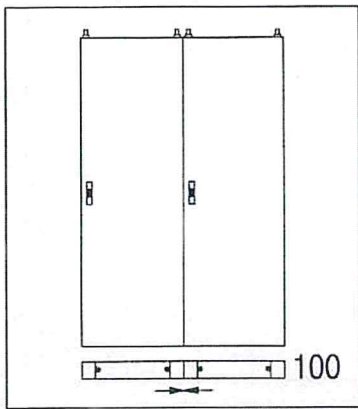
D (=100)

M12 x 25
 $M_D = 20 \text{ Nm}$

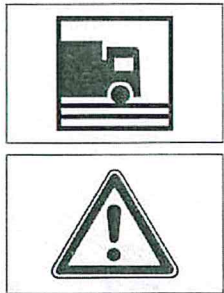
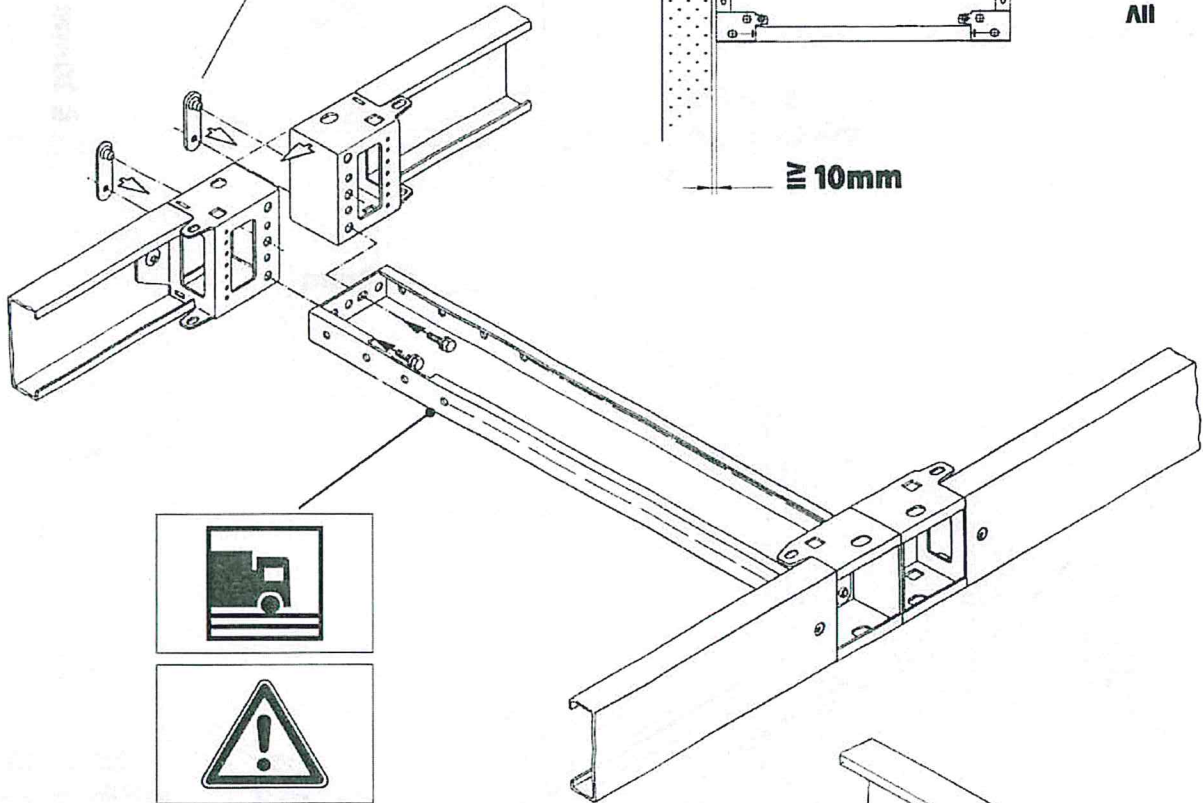


M12 x 25
 $M_D = 20 \text{ Nm}$





TS 8601.100



PS 4169-4178

PS 4191-4193

PS 4196,4336

PS 4182

PS 4374-4382

PS 4199

PS 4133

PS 4183

Rittal – The System.

Faster – better – worldwide.

- Enclosures
- Power distribution
- Climate control
- IT infrastructure
- Software & services

RITTAL GmbH & Co. KG
Postfach 1662 · D-35726 Herborn
Phone + 49(0)2772 505-0 · Fax + 49(0)2772 505-2319
E-Mail: info@rittal.de · www.rittal.com

04/11 246 608 A 2289602 TS 74

ENCLOSURES

POWER DISTRIBUTION

CLIMATE CONTROL

IT INFRASTRUCTURE

SOFTWARE & SERVICES

RITTAL

FRIEDHELM LOH GROUP